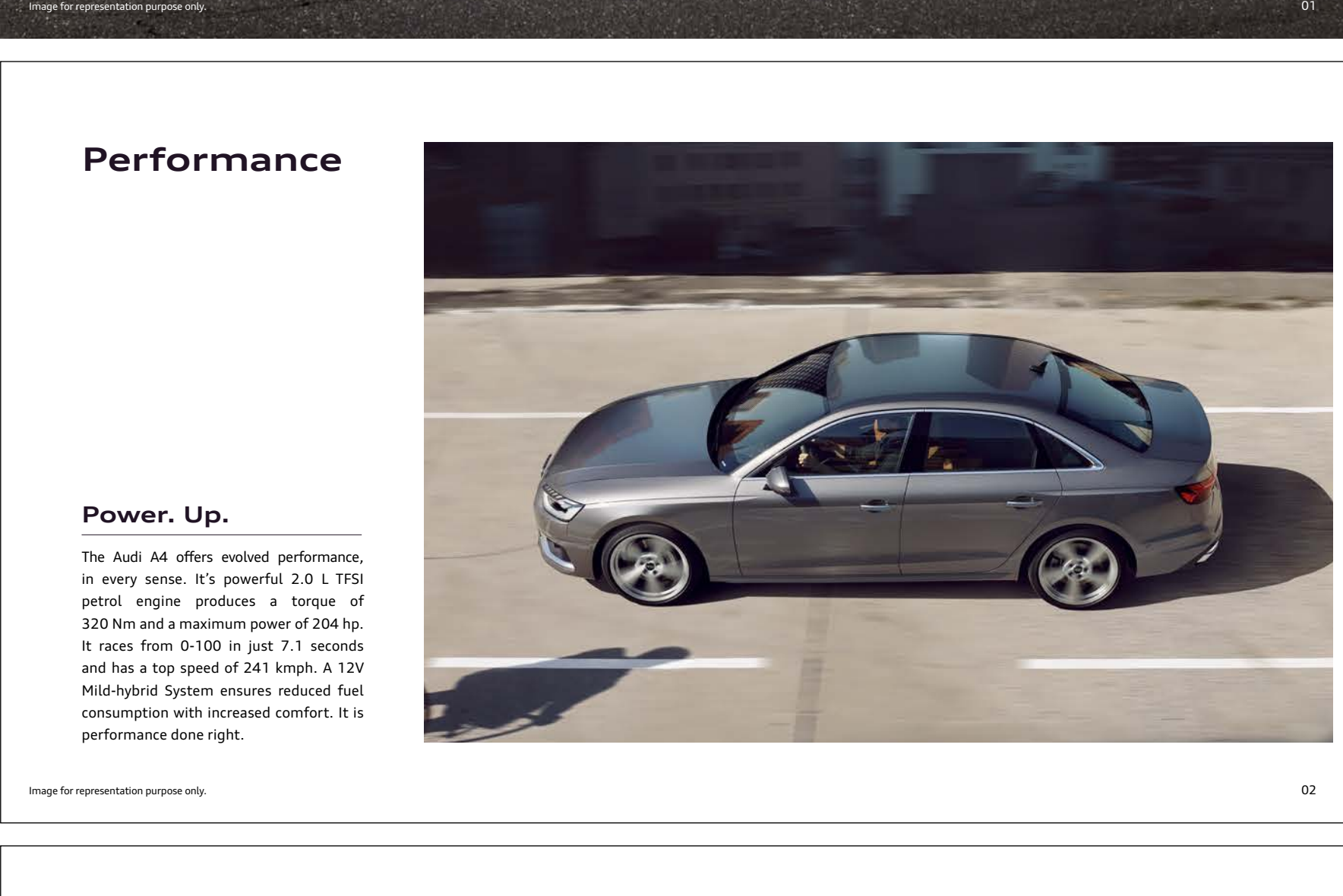


# Audi A4



Index		
The Audi A4	Overview	1
Engine and Performance	Performance	2
	Engine	3
	Performance Features	4
Equipment	Exterior	5
	Exterior Features	6
	Interior	7
	Interior Features	8
	Technology and Infotainment	9
	Technology Features	10
	External Features	11
	Internal Features	12
Colour and Styling	Exterior Colour Options	13
	Interior Colour Options	14
	Alloys	15
Others	Technical Data	16



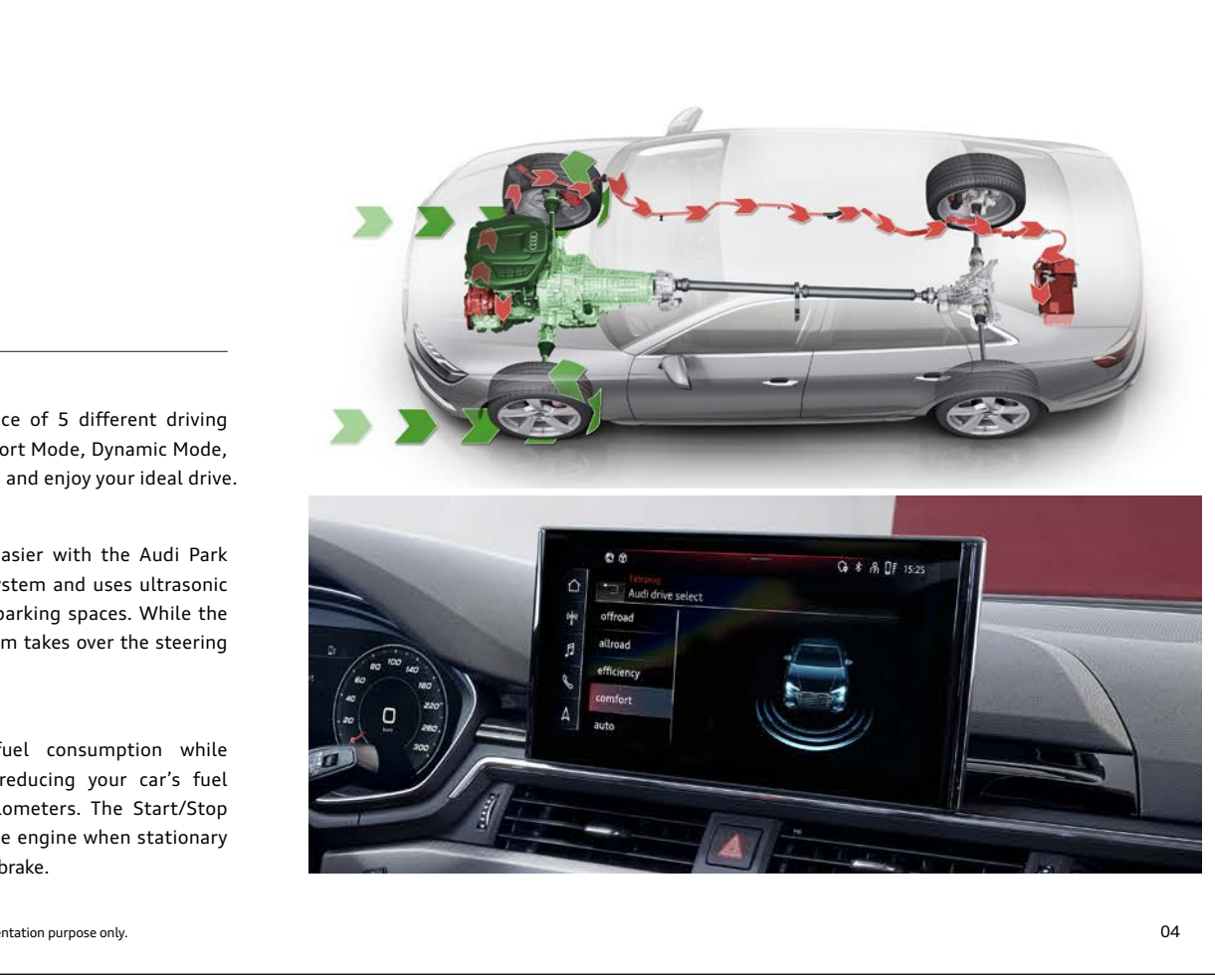
## Future is an attitude.

The all-impressive Audi A4 gives new meanings to design, performance and connectivity. With a powerful new engine, classy look and a whole lot of intelligent tech integrations, it's got progress imprinted in its DNA.

## Performance

### Power. Up.

The Audi A4 offers evolved performance, in every sense. It's powered performance, in every sense. It's powerful power of 204 hp petrol engine produces a torque of 320 Nm and a maximum power of 204 hp. It races from 0-100 in just 7.1 seconds and has a top speed of 241 kmph. A 12V Mild-hybrid System ensures reduced fuel consumption with increased comfort. It is performance done right.



## Performance

**Power**  
204 hp

**Torque**  
320 Nm

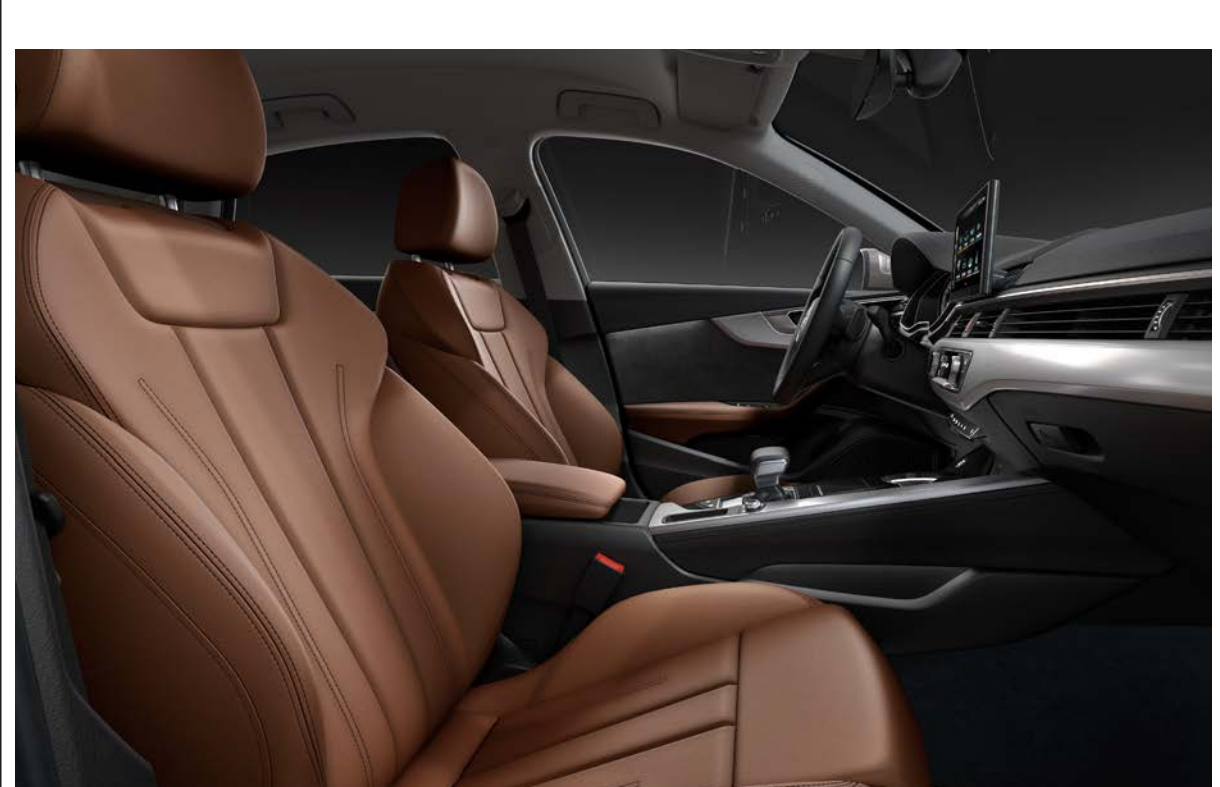
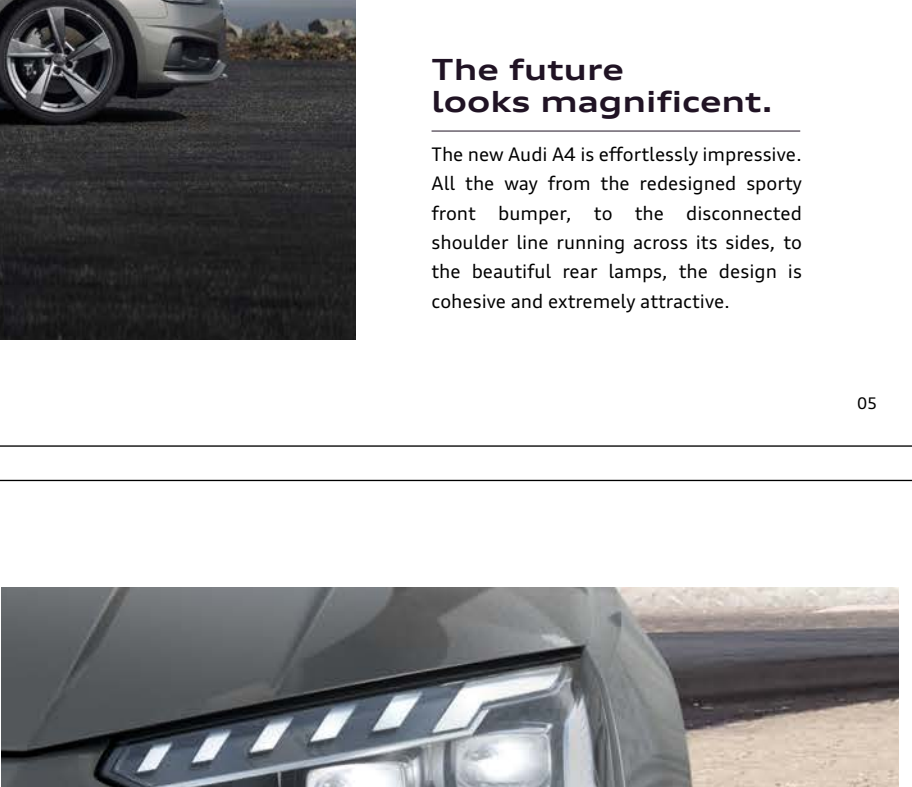
**Acceleration**  
7.1 sec (0-100 km/h)

**Top Speed**  
241 km/h

## Performance

### Features

- > **Audi Drive Select**  
The Audi Drive Select gives you the experience of 5 different driving modes in one single car. Choose between Comfort Mode, Dynamic Mode, Efficiency Mode, Auto Mode or Individual Mode and enjoy your ideal drive.
- > **Audi Park Assist\***  
Parking your Audi A4 becomes a whole lot easier with the Audi Park Assist. It works in tandem with the parking laser system and uses ultrasonic sensors to search for ideal bay and kerb-side parking spaces. While the driver accelerates and changes gears, the system takes over the steering for you.
- > **Mild-hybrid System**  
The 12V Mild-hybrid System minimizes fuel consumption while maximizing comfort. This system helps in reducing your car's fuel consumption by up to 0.3 litres per 100 kilometers. The Start/Stop function, a part of this system, switches off the engine when stationary and starts back as soon as the driver releases the brake.



## Exterior

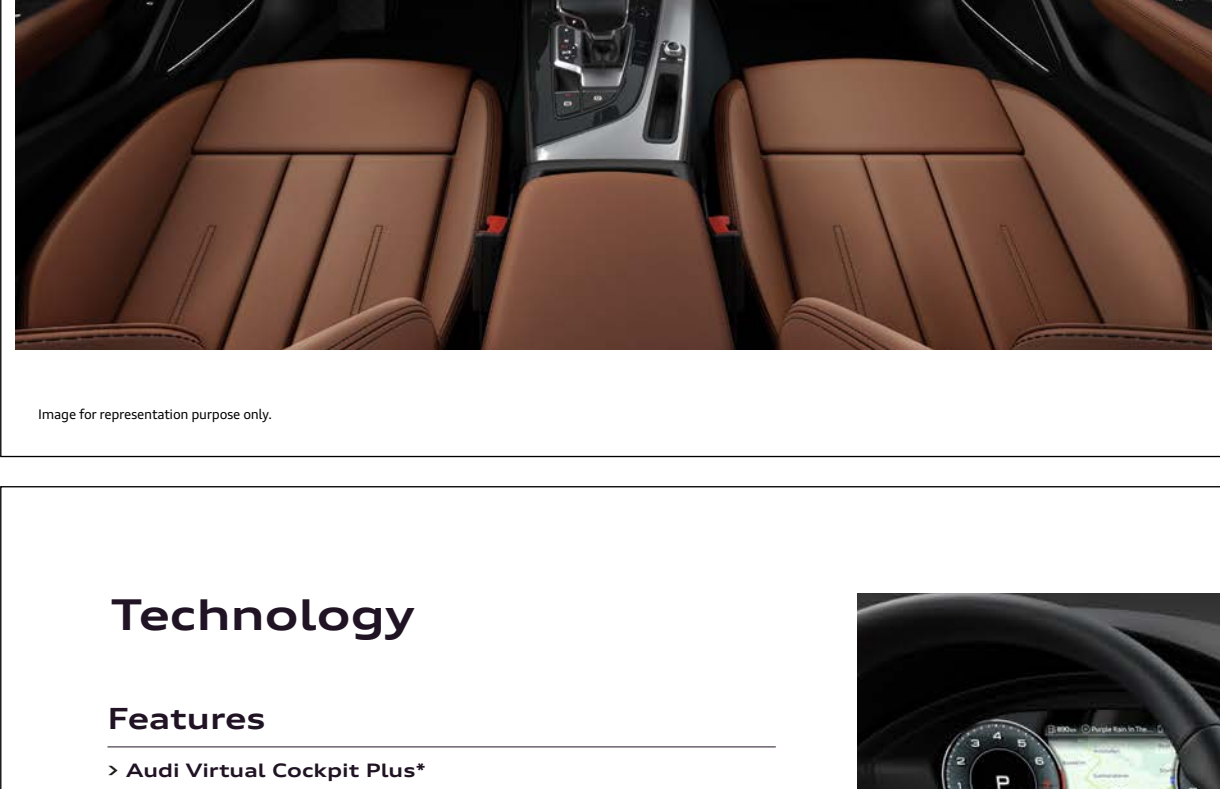
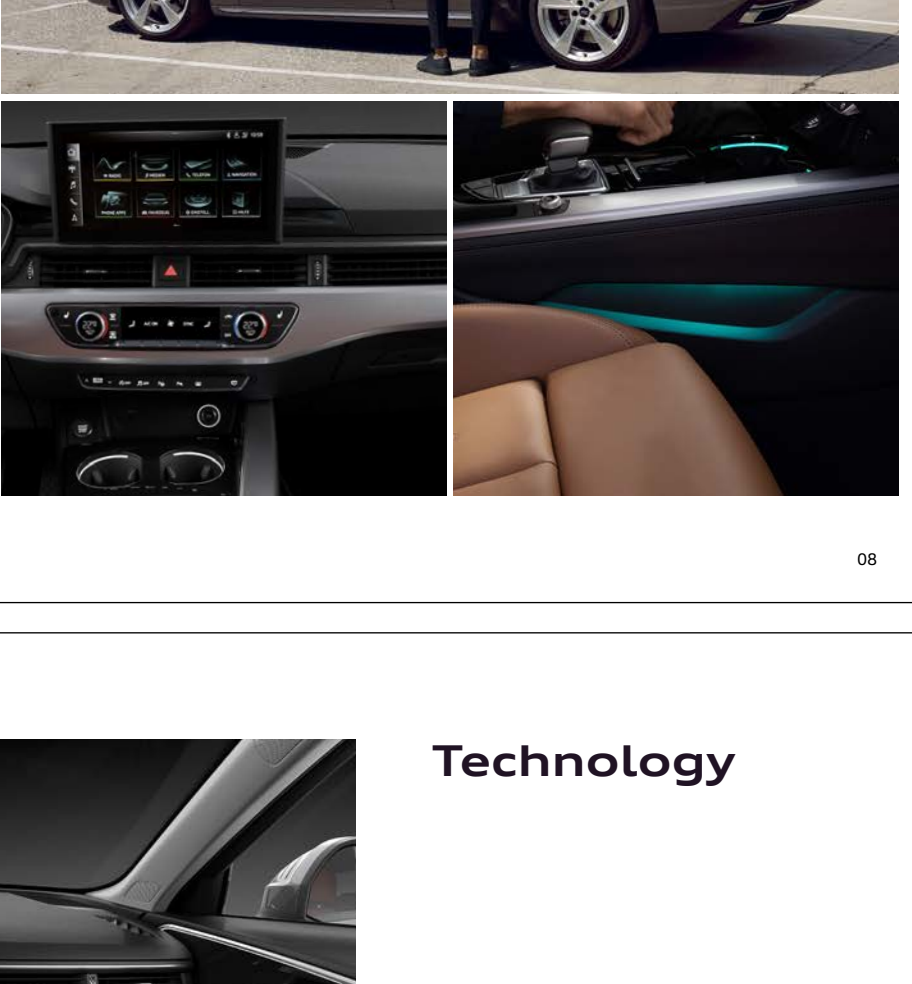
### The future looks magnificent.

The new Audi A4 is effortlessly impressive. All the way from the redesigned sporty front bumper to the disconnected shoulder line running across its sides, to the beautiful rear lamps, the design is cohesive and extremely attractive.

## Exterior

### Features

- > **LED Headlamps with redesigned signature DRLs**  
Style meets safety with the Audi A4 headlamps. The redesigned signature DRLs accents the shape of the car while increasing the visibility of the car to other drivers.
- > **Gesture-based Boot Lid Opening System\***  
It's the smaller things that take the Audi A4 to the next level. Like the gesture-based boot lid opening system which helps you open the boot of your car with a flick of your foot.



## Interior

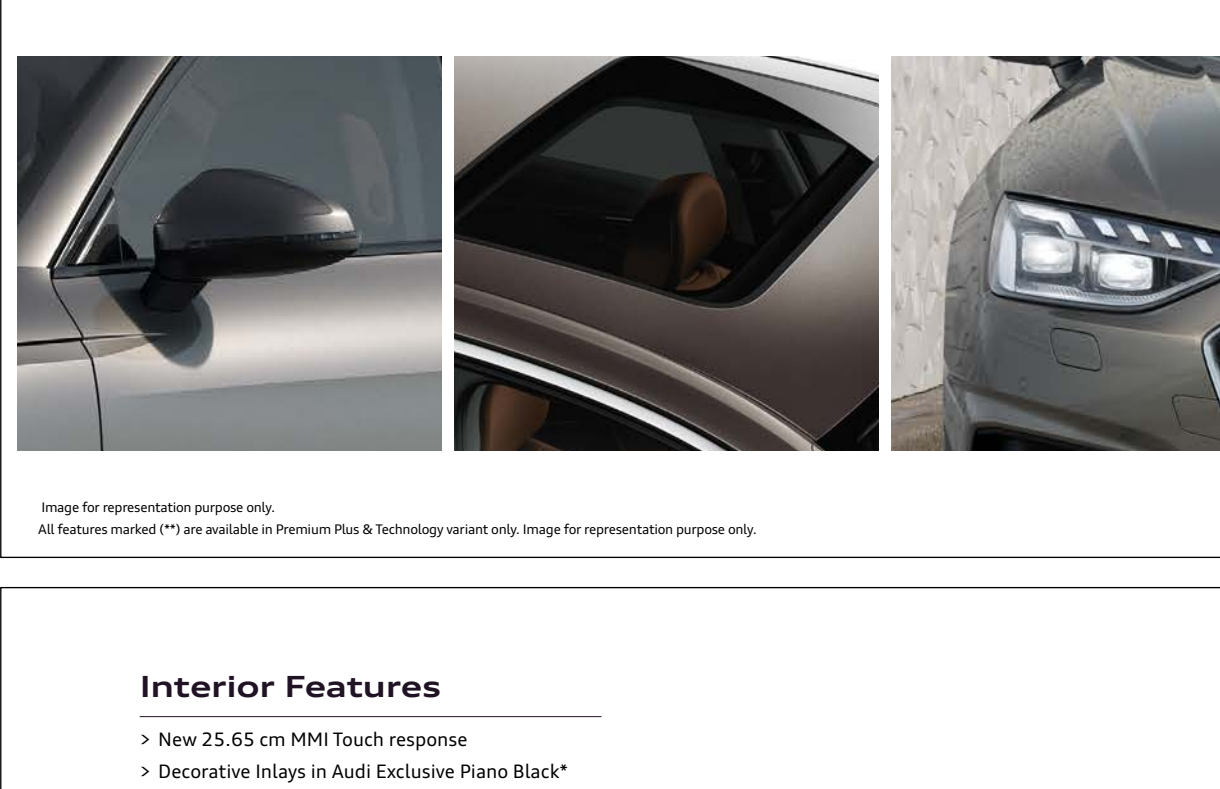
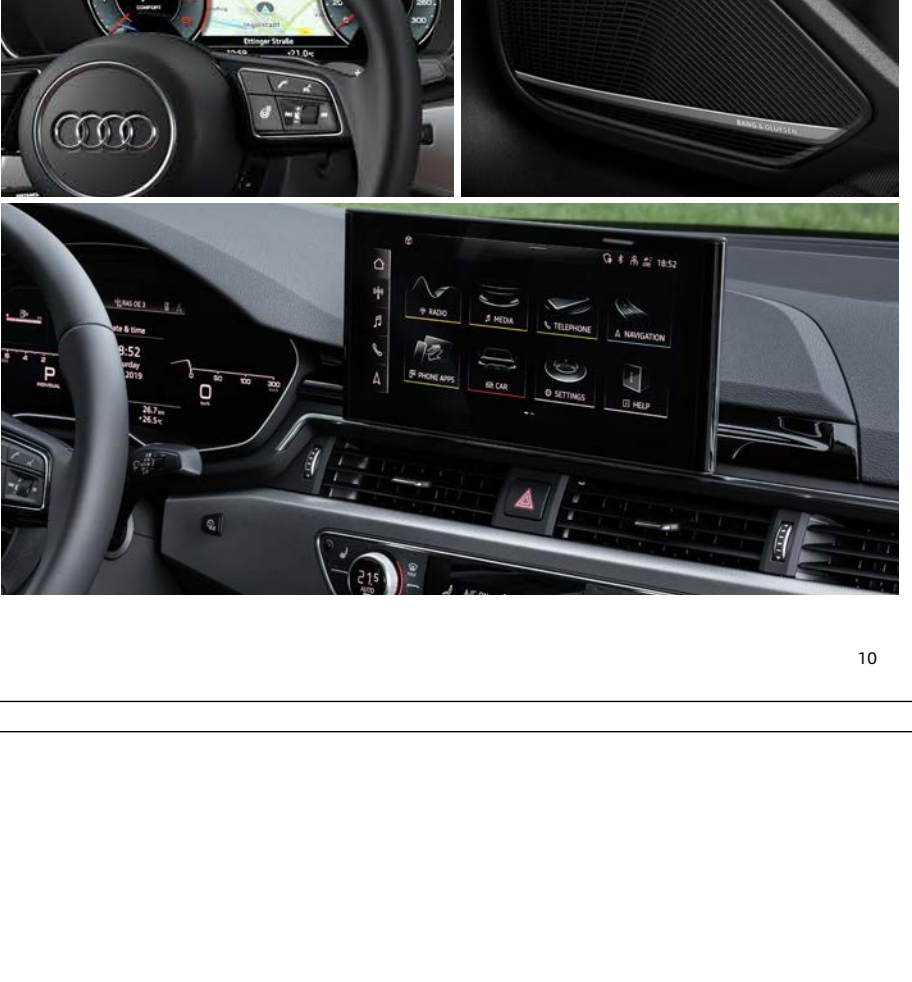
### Craft meets comfort.

The interior of the Audi A4 is luxurious and comfortable. It combines modern aesthetics with supreme craftsmanship. The highly attractive piano black inlays, adds to the style quotient of Audi A4. And the uniquely designed gear shift and the leather/leatherette seats are designed to provide utmost comfort to the driver.

## Interior

### Features

- > **3 Zone Air Conditioning\*\***  
Audi A4's 3 Zone Air Conditioning comes with sun position and humidity sensors helping to keep your car at the perfect temperature. Always.
- > **Comfort Key**  
The Audi Comfort Key places convenience right at the tip of your finger. From keyless car opening, to memorizing important settings, the Comfort Key does it all.
- > **Contour Ambient Lighting with 30 colours\*\***  
Spruce up your interiors with the Contour Ambient Lighting package.



## Technology

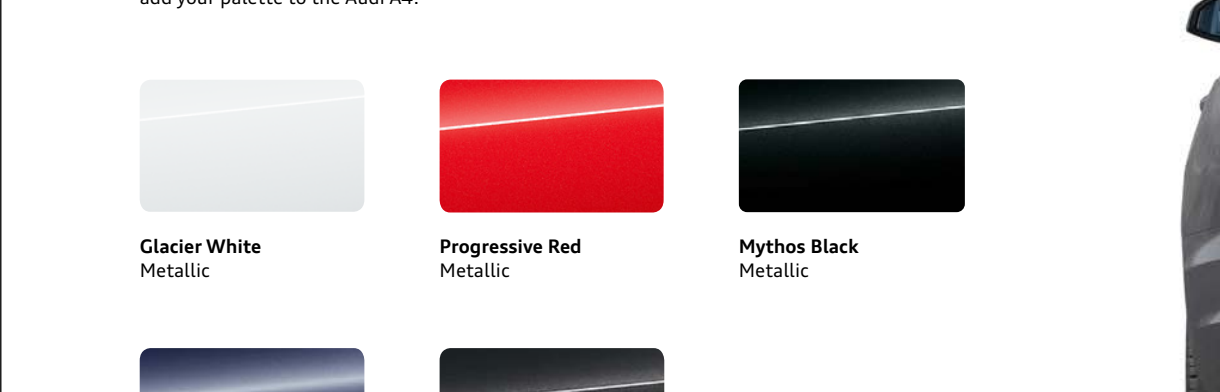
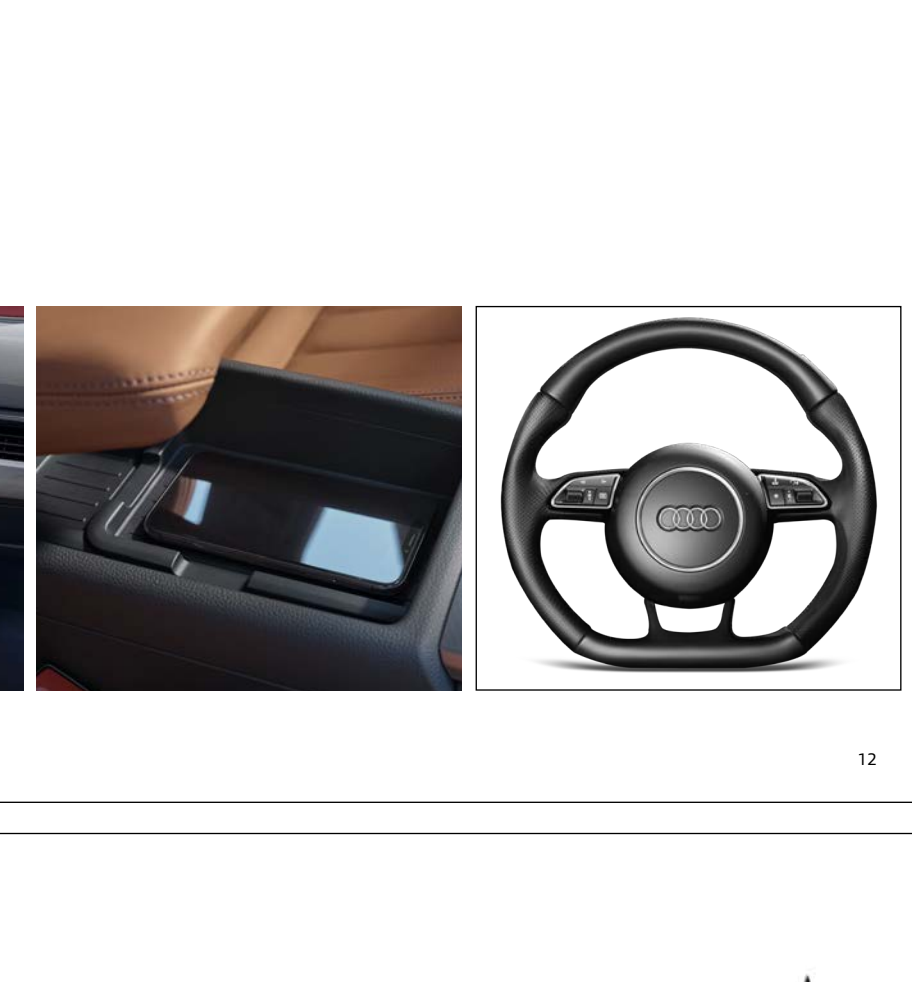
### Intelligence to do more.

Smart, intuitive and highly perceptive. The Audi A4 features advanced technology and best-in-class infotainment system. The Voice Dialogue System allows you to provide verbal commands to your car. And the Audi Smartphone interface bridges the gap between your phone and your car.

## Technology

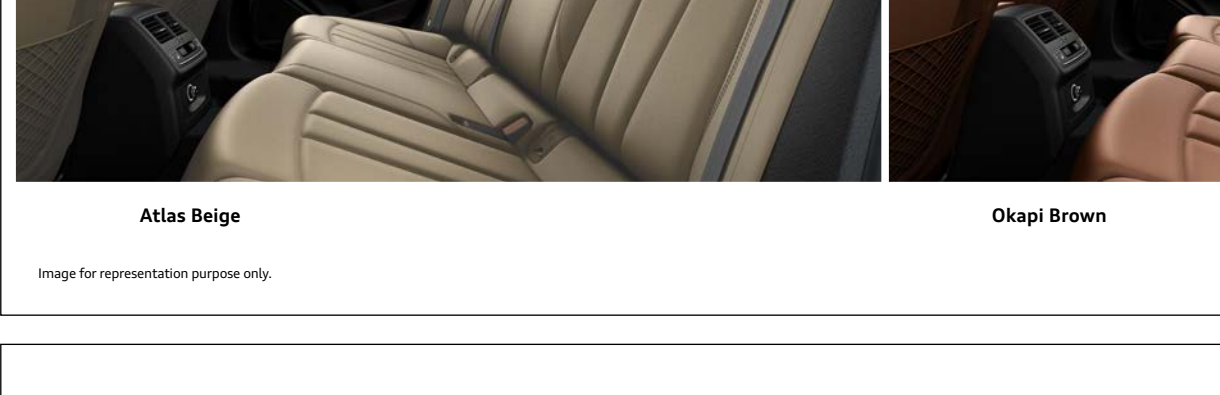
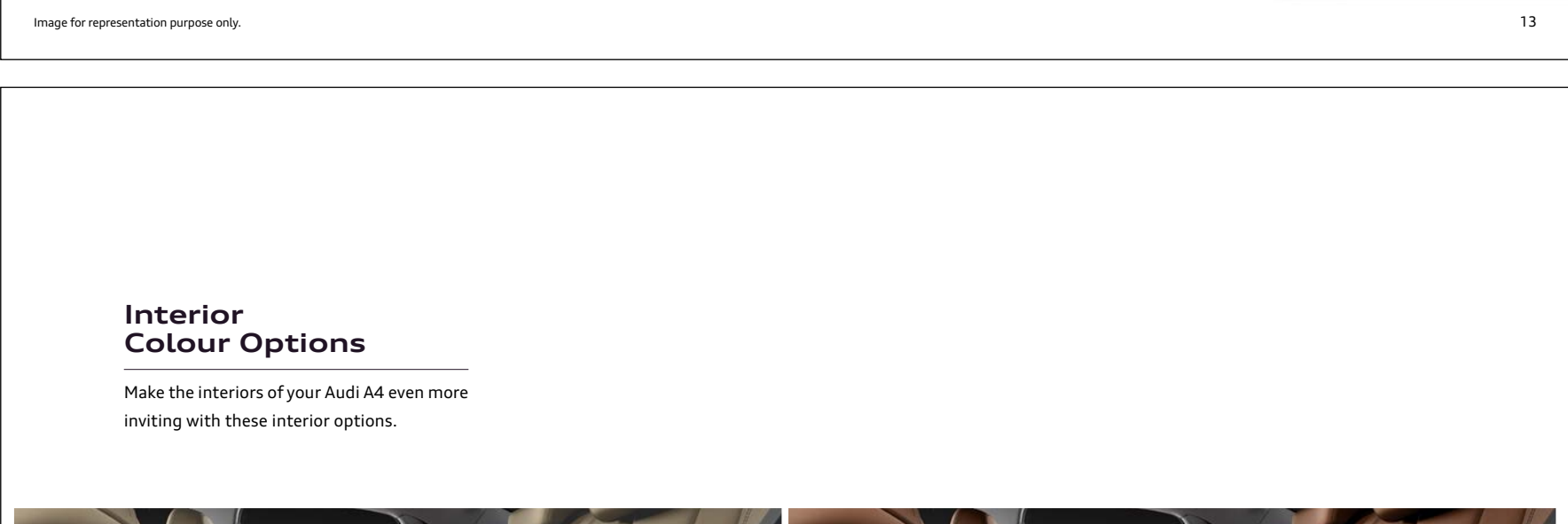
### Features

- > **Audi Virtual Cockpit Plus\***  
This 31.24 cm LED screen is a highly sophisticated digital cluster which acts as a relay hub for all your necessary information, bringing all of it right in front of your eyes. The view button on the multi-function steering wheel allows you to change between different displays, such as the Dynamic Display, Classic Display and Sport Display.
- > **Audi Smartphone Interface**  
The Audi Smartphone Interface is a clever amalgamation between your smartphone and the Audi A4. Get instant access to systems such as navigation, music and third-party apps via the MMI touch display or via smartphone voice control.
- > **Bang & Olufsen premium sound system with 3D sound\***  
With the Bang & Olufsen premium sound system with 3D sound, the sound is reproduced through 19 loudspeakers including 3D sound loudspeakers, a centre speaker and a subwoofer. The 16-channel amplifier has a total output of 755 watts. This creates an almost unparalleled authentic 3D surround experience in the vehicle and conveys the feeling of sitting in the front row of a concert hall.
- > **MMI Navigation Plus with MMI touch\***  
The Audi A4's new MMI system takes your vehicle to new levels of connectivity. An MMI touch display with acoustic feedback replaces the older rotary/push button system on the centre tunnel console. With a 25.65 cm high resolution TFT display, the MMI Navigation Plus with MMI Touch is convenience, redefined.



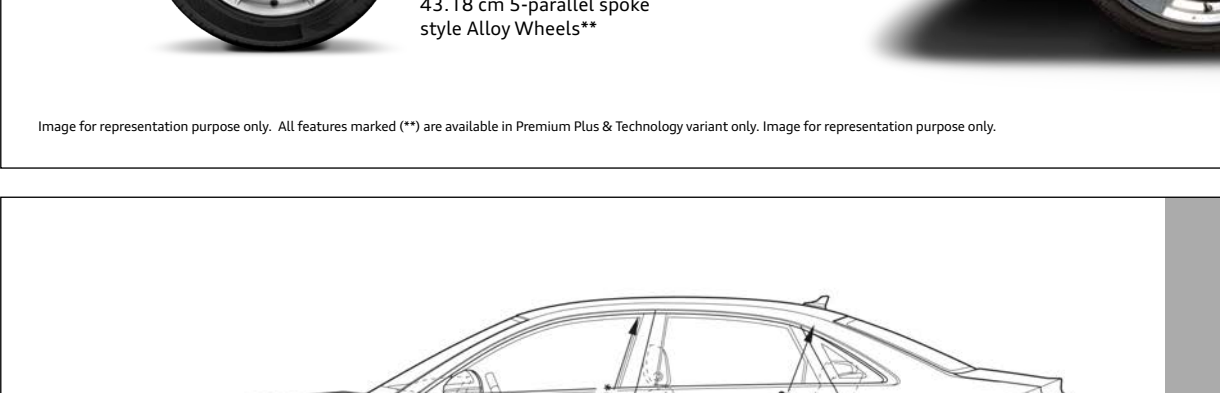
## Exterior Features

- > LED Headlamps with signature DRLs
- > 5-spoke alloy style Alloy Wheels\*\*
- > Glass Sunroof
- > Chrome Door Handles
- > Electrically adjustable exterior mirror with auto-dimming & optional memory function



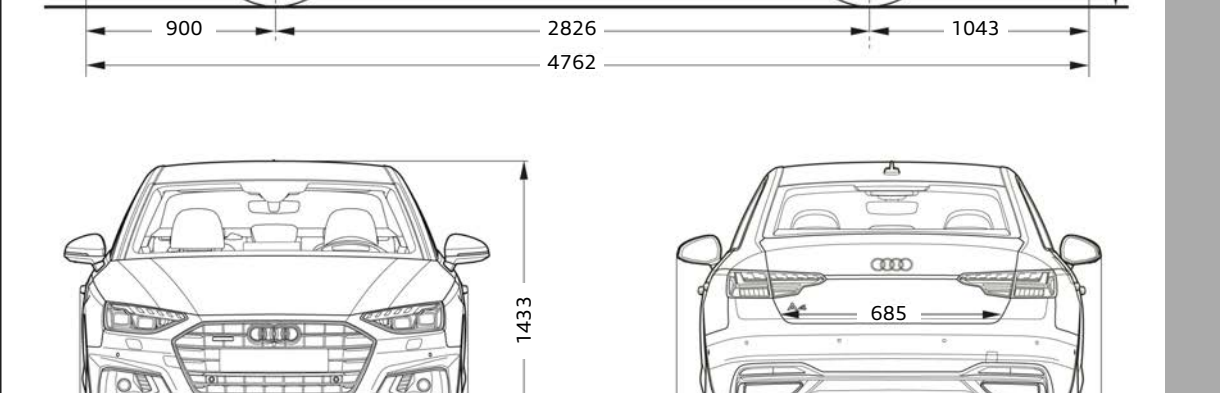
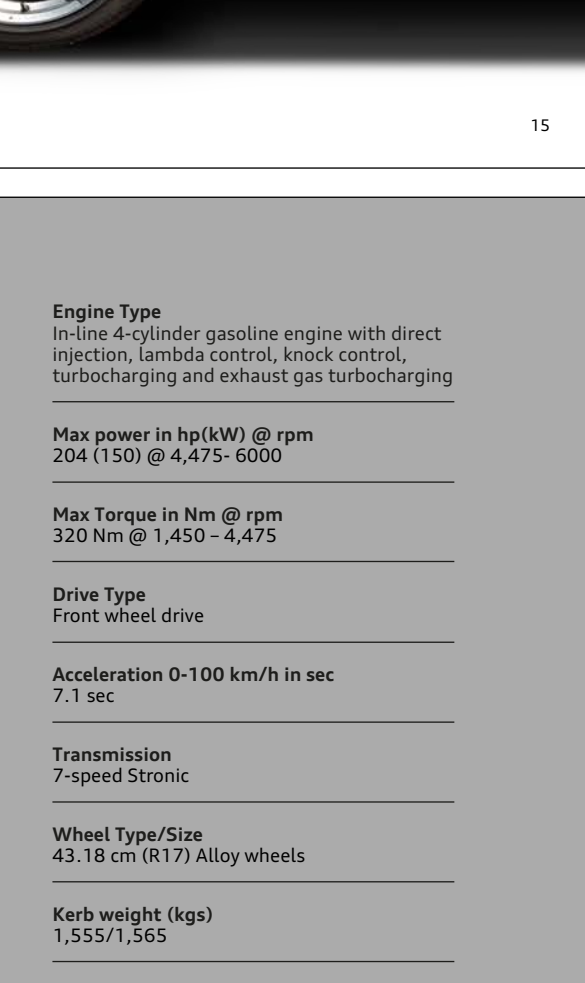
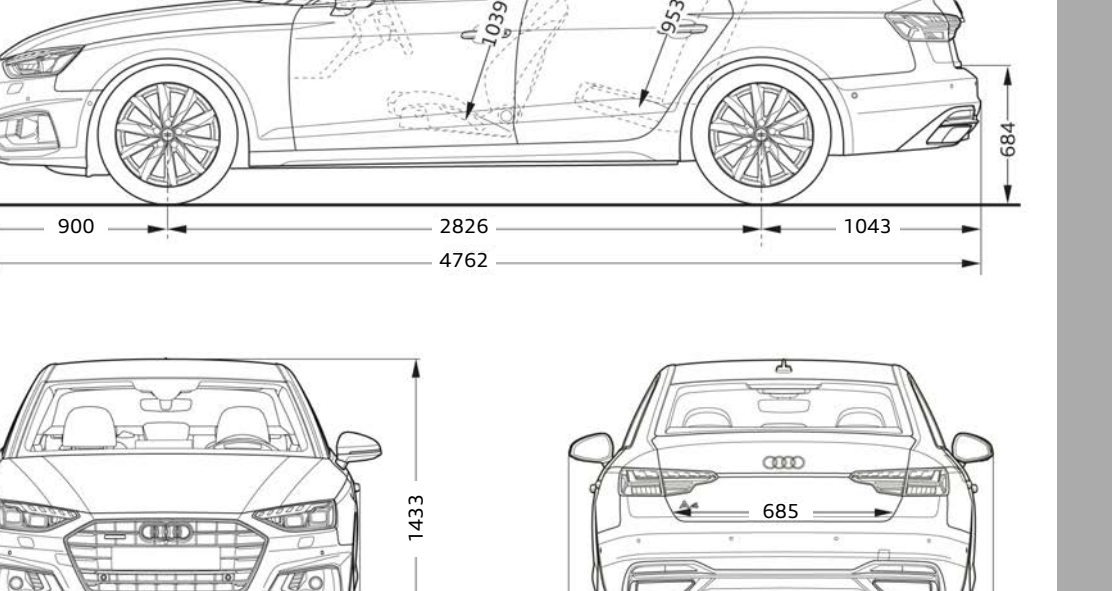
## Interior Features

- > New 25.65 cm MMI Touch response
- > Decorative Inlays in Audi Exclusive Piano Black\*
- > Audi Virtual Cockpit Plus - With Sport display mode\*
- > Comfort Key with Gesture-based boot lid opening\*
- > 3 Zone Air Conditioner\*\*
- > Leather/Leatherette Interiors
- > 8 & 0 Premium 3D Sound System\*
- > Contour Ambient Lighting with 30 colors\*\*
- > Flat Bottom Steering Wheel\*
- > Audi Phone Box with wireless charging\*
- > USB charging interface for the rear



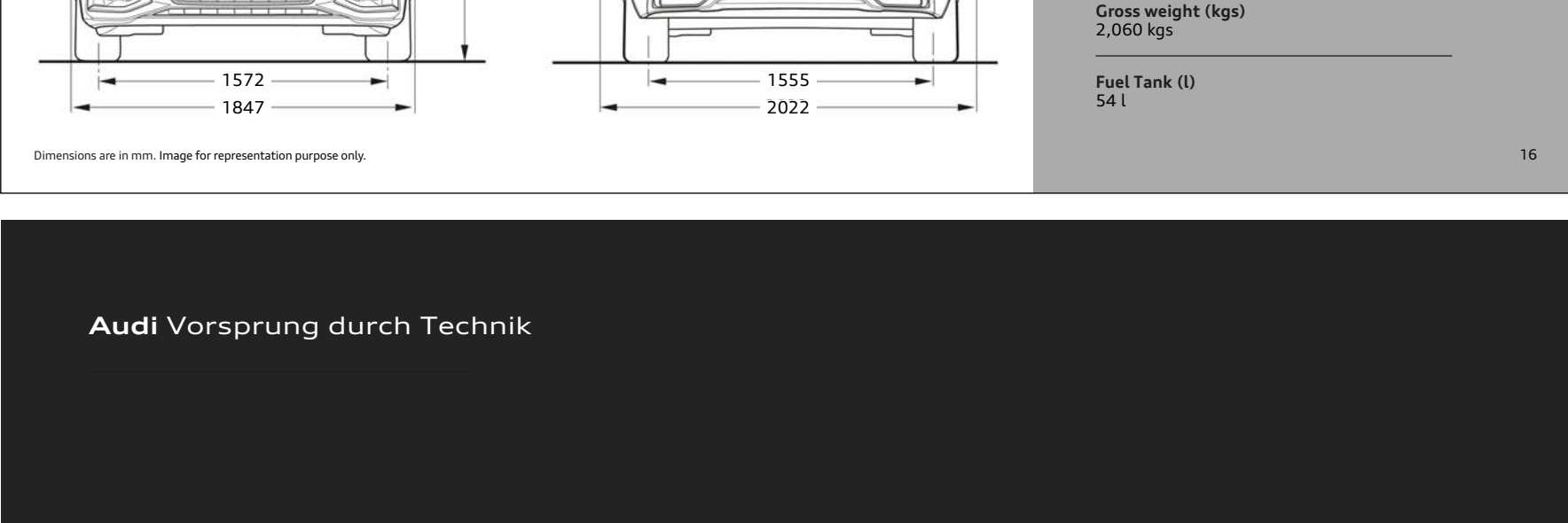
## Exterior Colour Options

Choose from these captivating hues to add your palette to the Audi A4.



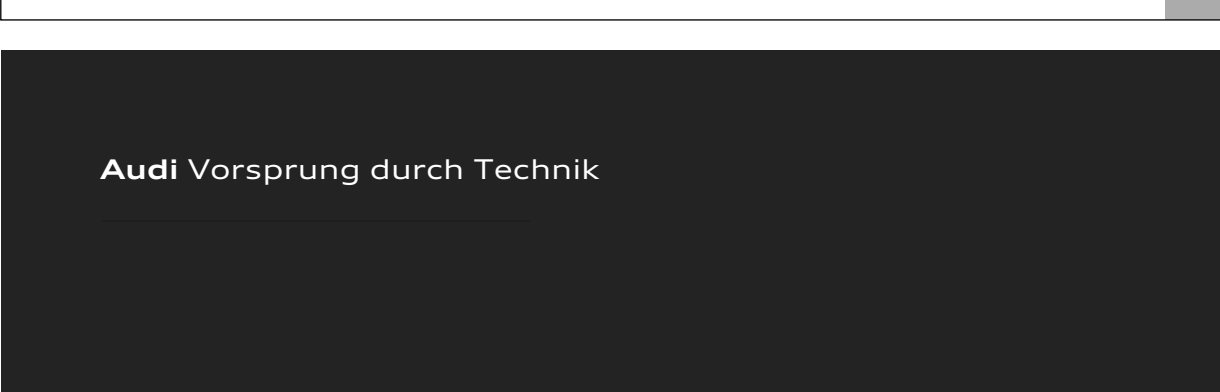
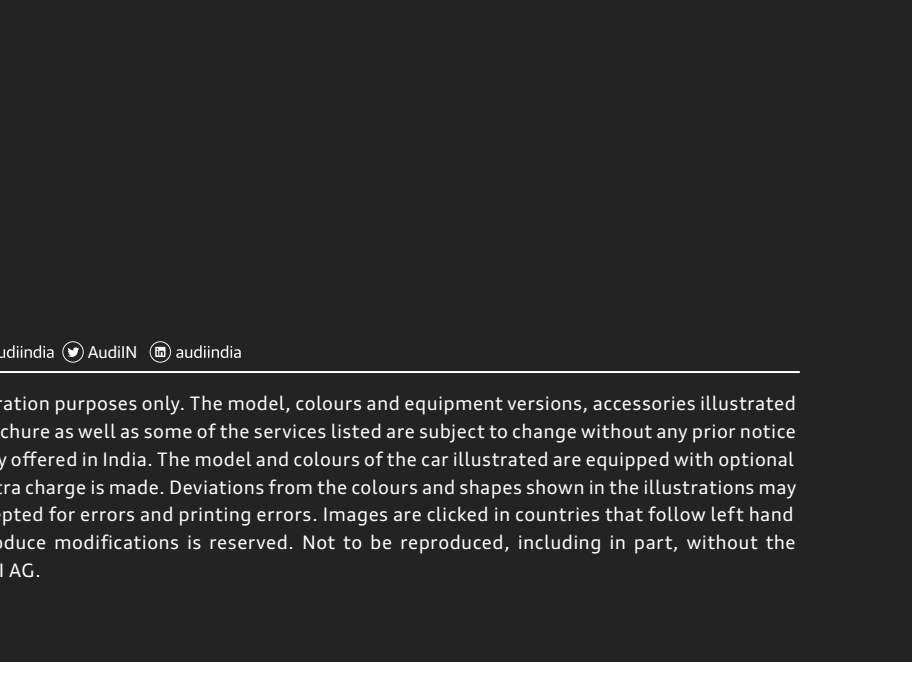
## Interior Colour Options

Make the interiors of your Audi A4 even more inviting with these interior options.



## Alloy Wheels

The stylish Alloy Wheels are a perfect addition to the impressive looking Audi A4.



<b>Engine Type</b>	In-line 4-cylinder gasoline engine with direct injection, lambda control, knock control, turbocharging and exhaust gas turbocharging
<b>Max power in hp(kW) @ rpm</b>	204 (150) @ 4,475 - 6000
<b>Max Torque in Nm @ rpm</b>	320 Nm @ 1,450 - 4,475
<b>Drive Type</b>	Front-wheel drive
<b>Acceleration 0-100 km/h in sec</b>	7.1 sec
<b>Transmission</b>	7-speed STronic
<b>Wheel Type/Size</b>	43.18 cm (R17) Alloy wheels
<b>Kerb weight (kgs)</b>	1,555/1,565
<b>Gross weight (kgs)</b>	2,060 kgs
<b>Fuel Tank (l)</b>	54 l