

The C-Class. Never Stop Improving.



Mercedes-Benz





Never stop improving.

It is not about being better than others. It is about getting better than you are. That is what counts. In sport as well as on the road. The C-Class is known for its perfect proportions, its comfort, its quality and its drive: to exceed itself every day, on every journey, over and over again.



On top form, when it matters.

The sense of forward momentum in the new C-Class is plain to see: the modified front end simply exudes dynamism and contemporary appeal. Depending on the precise specification, it features redesigned bumpers, gleaming chrome trim and stunning new LED headlamps.

*Please read the disclaimer.



When it all feels perfect,
there can only be one objective:
to make it even better.

Perfect training conditions await you in the new C-Class Saloon: the new steering wheel with Touch Control buttons along with, depending on the precise specification and larger displays including a new-generation multimedia system, are state-of-the-art features that make operating the car a highly individual affair.

*Please read the disclaimer.

9G-TRONIC

Let your vehicle take care of changing gears: you will barely notice the gear changes made by the 9G-TRONIC automatic transmission. Nine gears enable low engine speeds, which reduces your fuel consumption and ensures a more pleasant noise level.

When you select the Comfort and ECO drive programs via DYNAMIC SELECT, the 9G-TRONIC shifts through the nine gears for you smoothly and efficiently, thus providing optimum ride comfort. In addition, the transmission is also truly sporty: at the press of a button you can experience fast, sporty gear changes while nevertheless frequently driving in the optimum engine speed range. As such you can enjoy even more driving pleasure in Sport mode as a result of correspondingly better performance.



*Please read the disclaimer.

DYNAMIC BODY CONTROL.

One suspension – three possible set-ups: with DYNAMIC BODY CONTROL, you can choose between maximum agility and high damping comfort. To match the route and your personal driving style. The suspension level and the Sports Direct-Steer system provide you with the ideal conditions for a particularly dynamic driving style. The DYNAMIC BODY CONTROL suspension is equipped with continuously adjustable damping for both the front and rear axle. The stepless system interacts with the engine, transmission and steering

characteristics to control the damping individually for each wheel – matched to the driving situation, vehicle speed and road surface. This variable configuration allows you to benefit from superb travelling comfort and outstanding driving dynamics.



*Please read the disclaimer.

The AMG Line with Night Package.

The Night package offers attractive features like finishing of exterior elements in black. They underscore the sporty character and special individuality of the vehicle. This enhances and demonstrates the sense of expressive design and exclusive sportiness.

The AMG Line Interior adds to the vehicle's sportiness, both visibly and tangibly. With it, you make a clear statement and show immediately what matters to you: an ambiance that is dynamic and exclusive in every single detail.



*Please read the disclaimer.

The AVANTGARDE equipment line.

With the AVANTGARDE exterior you can emphasise the individuality of your vehicle – and demonstrate the appeal of contemporary sportiness. The outcome of the interplay between the various design elements is an extraordinarily expressive vehicle. The lowered suspension offers the ideal balance between dynamism, comfort and safety.

The AVANTGARDE interior allows you to show what matters to you: stylish sportiness, characterful individuality and top-class quality. With the Interior Lighting package, the merits of the interior can be seen even more clearly.



*Please read the disclaimer.

Exteriors

AMG Exterior with Night Package (Available with C 300d - AMG Line)

The combination of Night package and AMG Line exterior includes the exciting diamond radiator grille with pins in silver and a high-gloss black louvre, the specific AMG front apron with high-gloss black trim and the black 18-inch AMG 5-spoke light-alloy wheels. The high-gloss black trim for rear bumper, the side skirts painted in the vehicle color with high-gloss black trim strip and the exterior mirror housing painted in black are some of the additional features.

Panoramic sliding sunroof

The panoramic sliding sunroof creates a genuine open-air ambience. The large area of glass allows interesting views and creates a friendly atmosphere. When driving with the roof open, you will enjoy the feeling of freshness.

The electric panoramic sliding sunroof is opened either continuously or by using the one-touch function. Or you can use the tilt position – the opening gap is then automatically suited to the vehicle speed. This allows you to enjoy fresh air in a pleasant intensity. Whatever the roof's position, wind noises are effectively minimised. On sunny days the electric roller sunblind provides welcome shade when needed.



*Please read the disclaimer.

Exteriors

MULTIBEAM LED (Available with C 300d - AMG Line)

The headlamps featuring MULTIBEAM LED technology and ULTRA RANGE main beam continually calculate the ideal light image and illuminate the road surface precisely, brightly and particularly broadly. This way you can detect dangers even quicker, without dazzling other vehicles unnecessarily. In addition the light colour, which is similar to daylight, spares and takes the strain off your eyes.

The Adaptive Highbeam Assist Plus is able to control the LEDs of the headlamps individually and thus adapt the range and shape of the light cone continually to the current traffic conditions.

If the system detects that you are driving through a built-up area, the city light function, optimised for city traffic, is automatically activated. Thanks to symmetrical distribution of the low-beam headlamp light and activated cornering lights, pavements or poorly visible exits are illuminated to optimum effect.

The MULTIBEAM LED also supports you in adverse weather conditions. The enhanced fog light function illuminates the outer half of the road more brightly in conditions of poor visibility – and you are dazzled less by the reflected light. In rain and on a wet road the individual LEDs are dimmed in a targeted manner. You are dazzled less as a result and oncoming traffic also benefits. The adverse weather light is activated when the windscreen wipers are permanently activated.



Exteriors

Led High Performance Headlights (Available with C 200 and C 220d - Prime and Progressive)

The LED High Performance headlamps illuminate the road considerably more precisely and generously than conventional halogen or xenon headlamps thanks to state-of-the-art LED technology. Thanks to the high light range traffic situations and obstacles can be seen earlier, thus resulting in increased safety. The uniform warm-white light quality is close to the colour temperature of daylight. This puts less of a strain on your eyes and helps you to concentrate for longer and remain more relaxed.

The LED tail lights shine with their well-conceived function, as their light intensity adjusts automatically to the light conditions. This has two advantages: on the one hand, your vehicle can be clearly seen by other road users in any situation - on the other, it ensures that other road users are not dazzled.

“See and be seen” takes on a new meaning with the LED High Performance headlamps: the exceptional design of both front lights and tail lights is determined by clearly defined contours. High-quality sculpted details create attractive highlights and underscore the cutting-edge, technical aspects. The fact that these headlamps are something very special is seen each time you unlock and lock your vehicle: your vehicle greets you and says goodbye with a brief light display – the headlamps are subtly activated and after a soft transition shine in bright white



Interiors

AMG Line interior (Available with C 300d - AMG Line)

The numerous highlights of the AMG Line include for example upholstery in ARTICO man-made leather and DINAMICA microfibre, the multifunction sports steering wheel with flattened lower section and the AMG sports pedals. This equipment helps to ensure a dynamic Interior design and underscores your sporty driving style.

The Interior Light package included in the AMG Line stages your special interior to impressive effect. The stylish illumination highlights attractive functions and functional features.

AVANTGARDE interior (Available with C 200 and C 220d - Prime and Progressive)

With the AVANTGARDE interior you can show what is important to you: stylish sportiness, resolute individuality and first-class quality. The avantgarde highlights and expressive ambience will bring you joy day after day. The interior benefits are clearly visible thanks to the Interior Light package.



*Please read the disclaimer.

Interiors

Front Wireless Charging (Available with C 300d - AMG Line and C 200 and C 220d - Progressive)

Driving time becomes charging time – with just a simple hand movement your smartphone can be fixed in place in the oddments tray where it is charged wirelessly. Irrespective of the model and brand, compatible smartphones are charged wirelessly.



Midline Sound System (Available with C 300d - AMG Line and C 200 and C 220d - Progressive)

The sound system adds listening pleasure to driving enjoyment. The 9 speakers with 225 W amplifier output is precisely configured for the vehicle interior for the dynamic reproduction of music.



All-digital instrument display (Available with C 300d - AMG Line and C 200 and C 220d - Progressive)

The fully digital instrument display with the display styles “Classic”, “Progressive” and “Sporty” enables you to decide which information is important to you and in which way you wish to have it displayed. The 31.2 cm (12.3-inch) display delivers a pin-sharp image which is very easy to read in all light conditions.



*Please read the disclaimer.

Interiors

Memory Package ((Available with C 300d - AMG Line and C 200 and C 220d - Progressive)

Comfortable and individual adjustment of the seating position and head restraint is made possible by the electrically adjustable driver's seat – for pleasant journeys with a healthy posture. The included memory function is particularly useful if different drivers use your vehicle and the seat adjustments are changed frequently.

Electric roller-blind for rear

The electrically extending and retracting roller sunblind for the rear window protects against direct sunlight in summer and when the sun is low in the sky. As a result, as the driver you can ensure that you are not dazzled by sunlight entering from the rear. In addition, the interior heats up less. Visibility to the rear is maintained.



*Please read the disclaimer.

Interiors

Folding rear seat backrests

The rear bench seat of your vehicle has a 40:20:40 split-folding design. This provides you with maximum flexibility: you can fold down the sections individually, in combination or totally. Thanks to EASY-PACK Quickfold, this can be done quickly and easily by hand. In the boot you will find the comfort controls. With these you can unlock the seats at the press of a button or a light tug on the lever, without first having to remove the head restraints. For additional safety you have at your disposal as standard the load-securing rings on the luggage compartment floor for securing the load.

Roller sunblinds in left and right rear doors

The manual pull-out roller sunblinds protect against direct, bright sunlight in summer and when the sun is low in the sky. As a result your rear passengers are not dazzled and the interior heats up less. It still remains possible to see out of the rear windows – for a pleasant and eventful journey.



*Please read the disclaimer.

Interiors

64 color Ambient lighting

Showcase the interior according to your personal preferences or current mood. With a total of 64 colours, the ambient lighting gives you almost unlimited scope for lighting schemes, and has the right colour available for any situation.



Audio 20 with HD Media Display

Audio 20 GPS provides you with varied entertainment and a comprehensive range of infotainment functions. Connect your smartphone conveniently with your car via Bluetooth and use the perfectly integrated telephony and music functions on a display incorporated elegantly into the interior design and featuring a 10.25-inch screen diagonal. Thanks to the higher resolution of 1920 x 720 pixels you can enjoy brilliant image quality with pin-sharp display of all infotainment content.



Smartphone integration package

The Smartphone Integration joins the mobile phone with the media system via Apple® CarPlay® and Android Auto®. This gives you convenient access to the most important applications of your smartphone. You can also use apps from third party service providers such as Spotify quickly and easily.

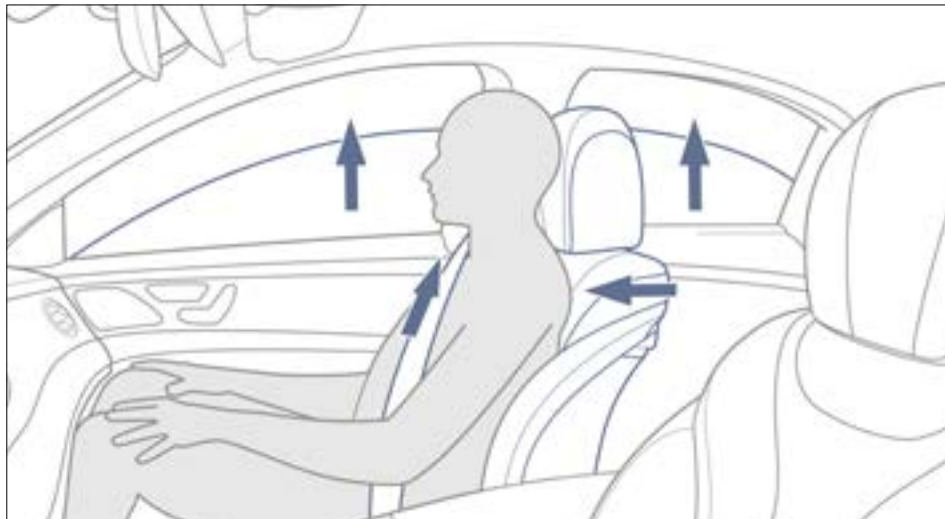


*Please read the disclaimer.

Safety and assistance systems

PRE SAFE System

The PRE-SAFE® system makes use of the time prior to an impending accident on your behalf. A host of measures are able to reduce the loads generated as a result. The innovative PRE-SAFE® Sound generates a noise from the speakers which is able to trigger a natural protective reflex: This protects the inner ear by damping the accident noise.



Cruise Control

The cruise control maintains the speed for you. So that the set speed is not exceeded, it brakes automatically. On long, steep downhill gradients, you must shift down to a lower gear in good time. This should be observed in particular when the vehicle is carrying a heavy load and when driving with a trailer. This way you make use of the braking effect of the engine. As such, you take the strain off the braking system and prevent unnecessary wear and as well as overheating of the brakes.



*Please read the disclaimer.

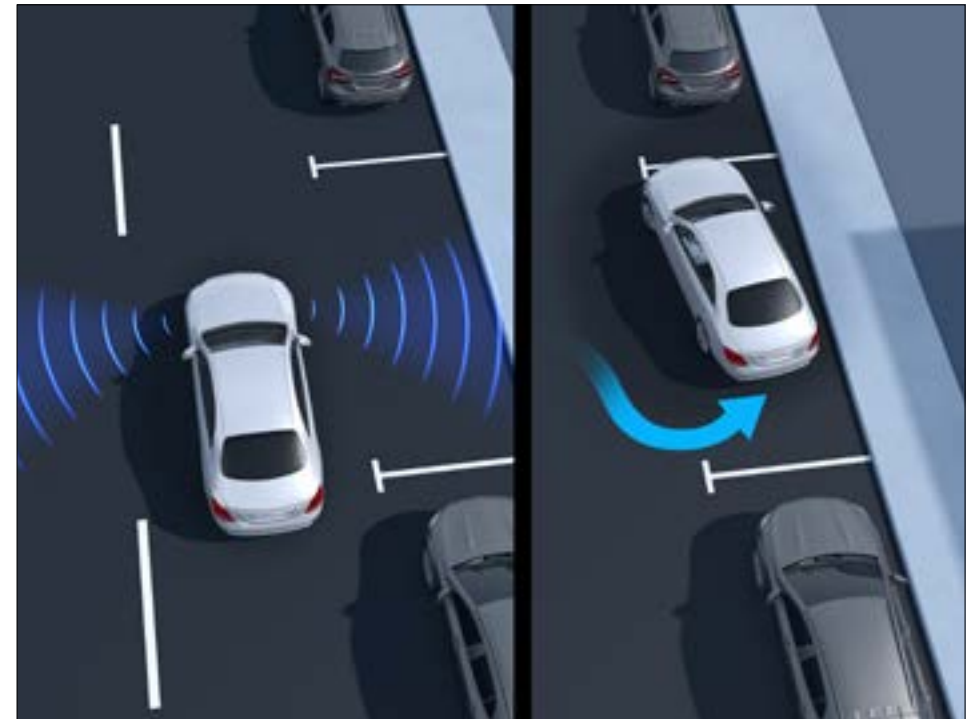
Safety and assistance systems

Active Parking Assist with PARKTRONIC

Turn the stress of tight parking spaces into effortless calm. Active Parking Assist is not only able to find suitable parking spaces – it also helps you to enter and leave them. It even assists you in steering and accelerating. The PARKTRONIC also monitors the surroundings when manoeuvring, such as in multi-story car parks. In so doing the system issues visual and acoustic warnings about obstructions – you can avoid these and thus also annoying and expensive damage.

Parking package with reversing camera

With this package you can even master tight parking spaces effortlessly. Convenient: Active Parking Assist searches for a suitable parking space and then helps you to park in it. Peace of mind is the motto for the reversing camera, with which expensive body damage can be avoided thanks to the good overview to the rear.



Safety and assistance systems

Pedestrian Protection with Active Bonnet

The systems of active safety can help to prevent an accident with a pedestrian or reduce its severity by providing support with braking or evasive manoeuvres. If a front impact with a pedestrian should occur, however, various measures can contribute to reducing the consequences of the accident. For example, the front end of the vehicle is therefore designed to be able to absorb more energy. In specific speed ranges, the active bonnet can additionally be raised. The raising is carried out pyrotechnically in the rear hinge area and increases the distance between the bonnet and the major assemblies in the engine compartment, whereby additional deformation space is created and the risk of injury to pedestrians in specific accident scenarios reduced.



*Please read the disclaimer.

Upholstery and trim.

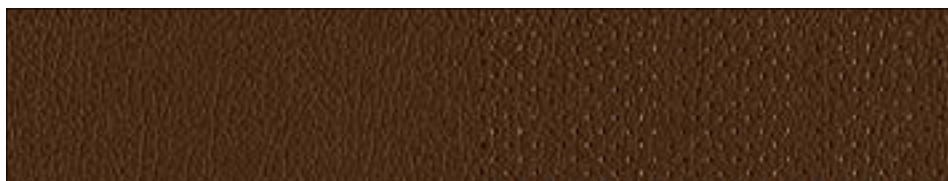
Upholstery

ARTICO man-made leather - black

ARTICO man-made leather - silk beige / black

ARTICO man-made leather black (Available with C 300d)

ARTICO man-made leather saddle brown / black (Available with C 300d)



Trim

Anthracite open-pore oak wood trim elements (Available with C 300d - AMG Line)

Brown open-pore walnut wood trim (Available with C 200 & C 220d - Progressive)



*Please read the disclaimer.

Paintwork and alloys.

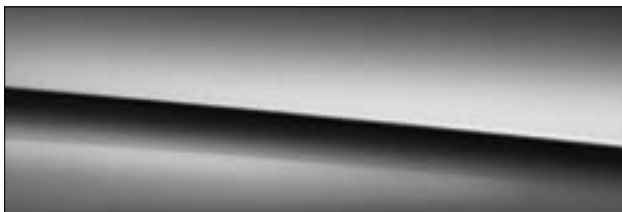
Non- Metallic Paints

Polar White

Metallic Paints

Mojave Silver

Obsidian Black

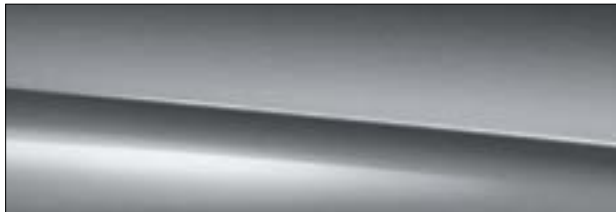


Metallic Paints

Selenite grey

Cavansite Blue

Designo Hyancith Red



Alloys

45.7 cm (18-inch) AMG 5-spoke light-alloy wheels painted in high-gloss black with a high-sheen finish (For C 300 - AMG Line)

43.2 cm (17-inch) 5-twin-spoke light-alloy wheels painted in vanadium silver (For C 200 & C 220d - Progressive)

43.2cm (17-inch) 5-large-spoke-light-alloy-wheels (For C 200 C 220d- Prime)



*Please read the disclaimer.



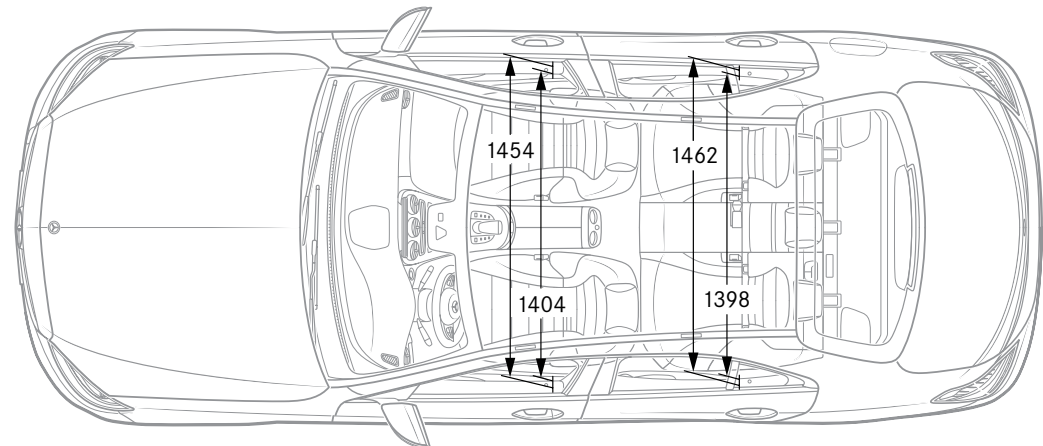
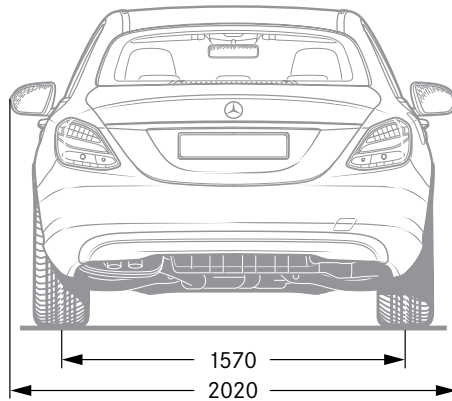
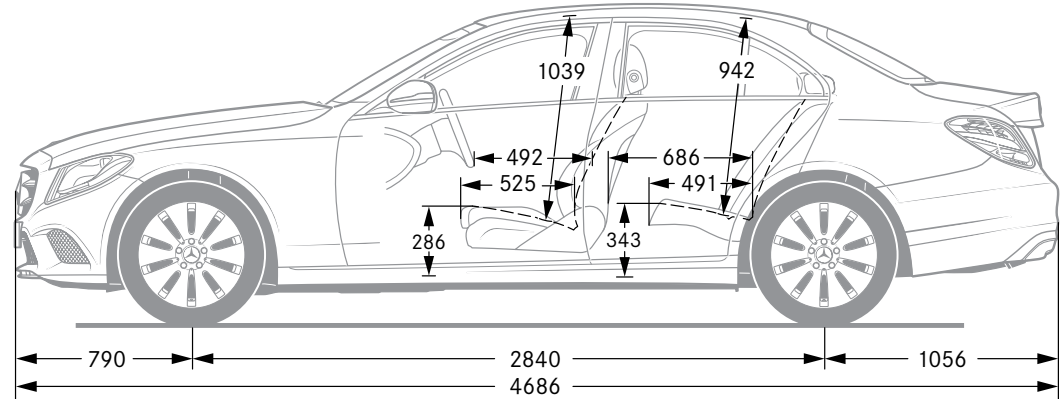
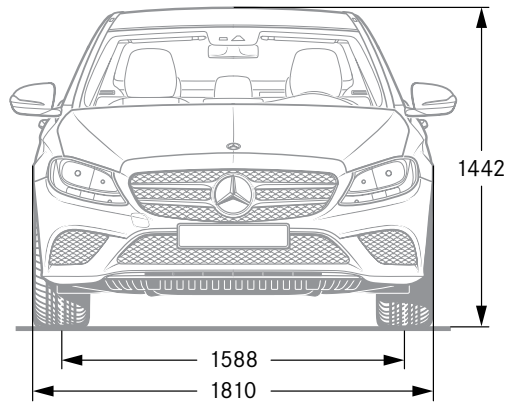
Technical data.

Technical Specification	C200*	C220d	C 300d
Displacement/ No. of cylinders	1497 cc /L4	1950 cc / L4	1950 cc / L4
Rated output (kW [hp] at rpm)	135 +10(el.) [184]/5800-6100	143 [194]/3800	180 [245]/4200
Transmission	Automatic	Automatic	Automatic
Acceleration 0-100 km/h (sec.)	7.7 secs	6.9 secs	5.9 secs
Top speed (km/h)	239 km/h	240 km/h	250 km/h
Fuel	Petrol	Diesel	Diesel
Gross vehicle weight	2085 kg	2165 kg	2215 kg
L x W x H (in mm)	4686 x 1810 x 1442	4686 x 1810 x 1442	4686 x 1810 x 1442

*48V Technology with EQ Boost for M264

The ultra-modern internal combustion engine is extensively electrified. The belt-driven starter alternator performs numerous hybrid functions such as boosting, and recuperates valuable energy when braking. The concept including a 48 V starter alternator and commensurate onboard electrical system gives the drive system more agility and comfort. Together with a 48V battery, this EQ boost technology performs many hybrid functions: practically silent and vibration-free quick start, recuperation, gliding with combustion engine switched off (in ECO mode) and boosting in the engine speed range up to 2500 rpm.

Dimensions.

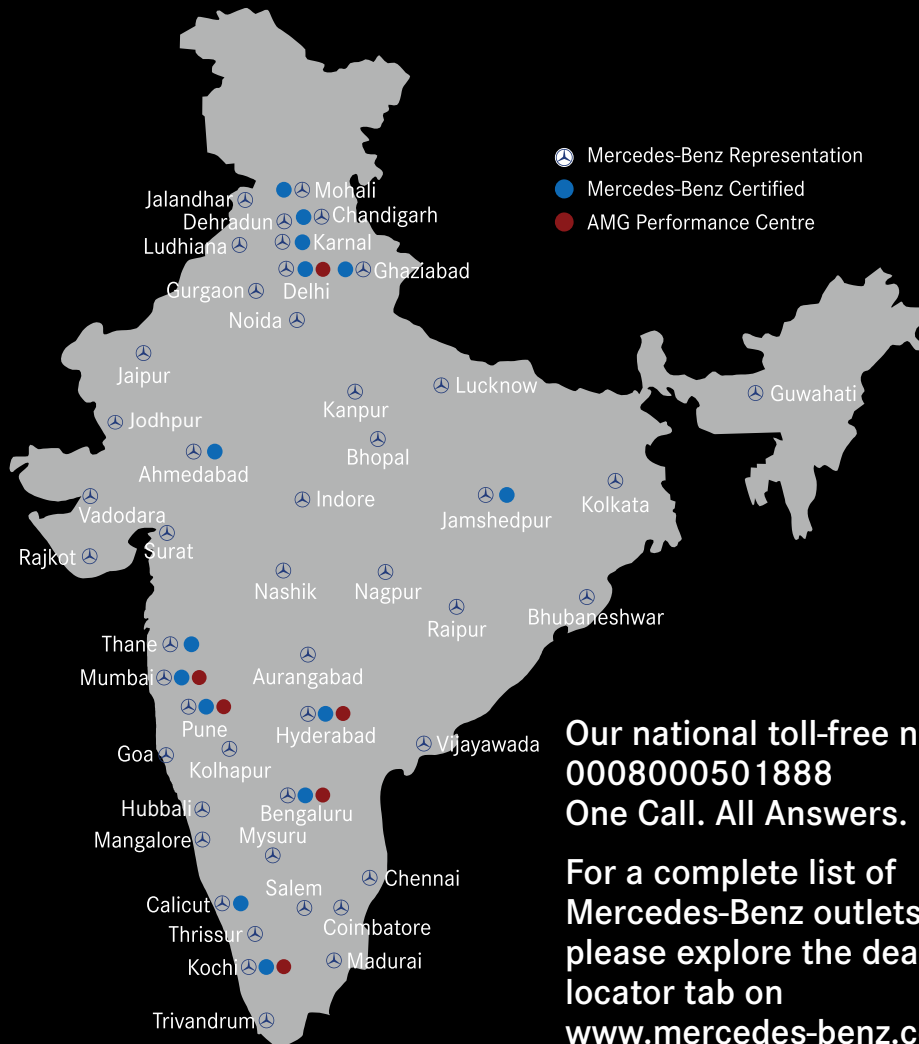





All figures in millimetres. The illustrated dimensions are mean values. They are valid for vehicles in basic specification and in unladen condition.

*Please read the disclaimer.

India's Largest Luxury Car Network.

It takes a keen sense of responsibility to provide the Best. Our large network is spread across the country in 47 cities with 95 outlets and is still growing. With world-class showrooms, state-of-the-art workshops and highly skilled personnel, experience the best wherever you go.



-  Mercedes-Benz Representation
-  Mercedes-Benz Certified
-  AMG Performance Centre

Our national toll-free no.:
0008000501888
One Call. All Answers.

For a complete list of Mercedes-Benz outlets, please explore the dealer locator tab on www.mercedes-benz.co.in

Star Presence

DEALER CONTACT:

NORTH & EAST:

BHUBANESHWAR:

T & T Motors: 0671- 2356356

CHANDIGARH: Joshi Autozone:

0172-5050000

DEHRADUN: Berkeley Motors:

0135-3054000/0-7088078606

DELHI:

Silver Arrows: 0-9999200500

T & T Motors: Mathura Road: 011-40058300

Rajouri Garden: 011- 49360700

GHAZIABAD: Silver Arrows: 0-9999200500

GURGAON: T & T Motors:

0124-4839700,4263060/61/62

GUWAHATI: Axom Motors:

0-7086053317/0-7086053319

RAJASTHAN:

JAIPUR: T & T Motors: 0141-4300000

JODHPUR: T & T Motors: 0291-2795600

JAMSHEDPUR: Tristar Motors:

0-7763815720/0657-6601601/02

JALANDHAR: Joshi Autozone: 0181-5004444

KANPUR: SRM Star: 0-8795835516

KARNAL: Berkeley Motors: 0184-3300000

KOLKATA:

Benchmark Interkrafts: 9909487777

LUCKNOW: SRM Star: 0-8795835516

LUDHIANA: Joshi Autozone: 0161-5055000

MOHALI: Panjab Motors: 0172-4290000

NOIDA: Silver Arrows: 0-9999200500

WEST:

AHMEDABAD:

Benchmark Cars: 0-8000962000

Emerald Motors: 0-7878733555

AURANGABAD: Indisch Motoren:

0-8446674500

BHOPAL: Benchmark Cars: 0-9098233233

GOA: Counto Motors: 9112222224/5/6/7

INDORE: Benchmark Cars: 0-9909587777

KOLHAPUR: B. U. Bhandari: 0-9923823673

MUMBAI:

Auto Hangar: Prabhadevi: 022-67434362/63

Auto Hangar: Andheri: 022-67106660/61

Metro Auto Hangar: 022-66123500/11

Shaman Wheels, Off BKC: 022-24228787/

67166666

THANE & KANDIVALI: Landmark Cars:
0-7572820000

NAVI MUMBAI: Shaman Wheels:
022-24228787/27830066

NAGPUR:
Central Star: 7104238121

NASHIK: Indisch Motoren: 0253-6645555

PUNE:
B. U. Bhandari, Baner: 020-67212129,
0-9011955555
B. U. Bhandari, Bund Garden: 020-67212131
Trinity Motors: 020-67342525

RAJKOT: Benchmark Cars: 0-9377750050

RAIPUR: Auto Hangar:
0771- 4915801/4916801

SURAT: Benchmark Cars: 0-8690550055

VADODARA: Benchmark Cars: 0-9377390001

SOUTH:

BENGALURU:
Sundaram Motors: 080-22070720/21
Akshaya Motors, Mysore Road:
080-22966300/9108535297
Akshaya Motors, Koramangala:
080-22966296/9108535484

HUBBALLI: Akshaya Motors:
0836-2228999/9538333772

CALICUT: Bridgeway Motors: 0495-2381777

CHENNAI:
Titanium Motors: 8190810000/
044-66498080/66498181/46108282
Sundaram Motors: 0-9840142345

COIMBATORE: Sundaram Motors:
0422-2452020

HYDERABAD:
Mahavir Motors: 0-9985533004
Silver Star: 040-30003535/0-7288862888

KOCHI: Rajasree Motors: 0484-2706332/
2706432/2706134, 8086360000

MADURAI: Sundaram Motors:
0452-2320433/0-9500966946

MANGALORE: Sundaram Motors:
0824-2214833/2215833/0-9008442155

MYSURU: Akshaya Motors:
0821-4237001/9108535903

SALEM: Sundaram Motors:
0-7397255855, 0-7397722599

THRISSUR: Bridgeway Motors:
0487-2358500

TRIVANDRUM: Rajasree Motors:
0471-2454577/8086360000

VIJAYAWADA: Mahavir Motors:
0-9985533004

MERCEDES-BENZ CERTIFIED:

AHMEDABAD:
Benchmark Cars: 8980003296/8000962000
Emerald Motors: 7622009486/7878733555

BENGALURU:
Akshaya Motors: 9019755055
Sundaram Motors: 080-22070746/
0-9880662051

CALICUT: Bridgeway Motors: 0495-2381777

CHANDIGARH: Joshi Autozone:
0-9878941906/0172-5050000/515

COIMBATORE: Sundaram Motors:
0422-2452020/0-7338846460

DELHI: T&T Motors, Mathura Road:
011-40058300
West Delhi: 011- 49360700

KARNAL: Berkeley Motors:
9592777999/0184-3300000

GHAZIABAD: Silver Arrows: 0-9718200500

HYDERABAD: Adishwar: 0-7799633004

INDORE: Benchmark Cars: 9909587777

KOCHI: Rajasree Motors: 0484-2607027/
8086360000

LUCKNOW: SRM Star: 0-8795835516

MOHALI: Panjab Motors:
0172-4290000, 91-7087021652

MUMBAI:
Auto Hangar: 022-43471235/36/37,
0-8108180625
Shaman Wheels: 022-24228787/66263000

THANE: Landmark Cars:
9619027705/7572820000

PUNE: B. U. Bhandari:
8605672555, 020-67212129

JAMSHEDPUR: Tristar Motors:
7070199555/0657-6601601/02

AMG PERFORMANCE CENTRES:

BENGALURU: Sundaram Motors:
080-22070720/21

DELHI: T&T Motors:
011-40058300

HYDERABAD: Mahavir Motors:
0-9885033004/0-9885653004

KOCHI: Rajasree Motors:
0484-2607027/ 8086360000

MUMBAI: Auto Hangar:
022-67434360/61, 0-9223547118

PUNE: B.U. Bhandari:
020-67212131/0-9921411555

Mercedes-Benz India Private Limited: E-3, MIDC Chakan - Phase III, Chakan Industrial Area, Kuruli & Nighoje, Tal: Khed, Pune - 410 501 (India)
Toll free No.: 0008000501888. e-mail: cs.ind@cac.mercedes-benz.com, **website: www.mercedes-benz.co.in**

Please note: This brochure is intended for general information, description and illustration of the Product including optional functions and equipment and may not be specific to a Product since specification of a product may change from time to time. Optional features, functions and equipment etc. may not be present in the Standard or Variant Product or Special Edition Product. Further, Standard specifications of a product may also vary from time to time. Colours may differ from those shown in pictures in the brochure, owing to printing. Mercedes-Benz India reserves the right to make changes, at any point of time, without prior notice, in design, colours, materials, components, equipment, specifications, features, functions, make and models etc. The information given in this brochure shall be regarded as accurate at the time of going to print and may vary thereafter due to any developments or any other reason. Interested parties should confirm with the Authorised Dealer about the correct specification of the product they desire to purchase. For the latest authentic information and updates, kindly contact your nearest Authorised Dealer.

All title, ownership rights and intellectual property rights in and relating to this brochure / magazine or publication material or any copies thereof including but not limited to copyright, logos, names, trademarks, service marks, design, text, images, links, concepts and themes are owned by Daimler AG and/or its subsidiaries collectively or used under authorised license by the Daimler AG. Any reproduction, transmission, publication, performance, broadcast, alteration, license, creation of derivative works or other use in whole or in part in any manner without the prior written consent of the Daimler AG is strictly prohibited.

Mercedes-Benz cars: The C 300d and C 220d meets BS VI equivalent norms and C 200 meets BS IV equivalent emission norms.

CIN - U34102PN1994PTC083160