



DEALER NETWORK

**NETWORK
ACROSS 463 CITIES
PAN-INDIA**



SCAN TO
EXPLORE MORE



T-CARE
Asign TOGETHER



**TOYOTA
FINANCIAL SERVICES**



TDELIVER TASSIST TSECURE TSMILE TGLOSS TINSPECT TSPARSH TSERV TSAATH TCHOICE TCLUB TSHIELD

For more information, visit www.toyotabharat.com You can Talk to Toyota at 1800-309-0001 (BSNL/MTNL Toll Free No.) or +91-80-45059000 (Direct No.)

Note: Vehicles pictured and specifications detailed in this brochure may vary between models and equipment. Addition of extra features may change figures in this chart. Toyota Kirloskar Motor Pvt. Ltd. reserves the right to alter the details of specifications and equipment without a notice. Actual colour of the vehicle body & upholstery might differ slightly from the images depicted in this brochure. Features are grade specific.

[f /ToyotaIndia](#) | [X /Toyota_India](#) | [i /toyota.india](#) | [v /ToyotainIndia](#) | [in /Toyota Kirloskar Motor](#)

EXCLUSIVELY FOR YOU

- ENJOY WARRANTY UP TO 3 YEARS / 1 00 000 KM
- EXTENDED WARRANTY UP TO 5 YEARS / 2 20 000 KM
- GET A PERIODIC SERVICE IN JUST 60 MINS VIA EXPRESS MAINTENANCE
- BE ASSURED WITH 24-HOUR ROADSIDE ASSISTANCE
- BOOK YOUR SERVICE IN JUST A FEW CLICKS

1450+ Total Touchpoints

* Toyota Sales & Service network as on 31st May 2026.
** Map and locations are indicative only. Not to be considered as actuals.

Is your Innova Crysta Dealer



BORN STRONG AN ICONIC LEGACY



**NEW
INNOVA
CRYSTA**

**UNMATCHED.
UNRIVALED.
Awesome**

*Terms & Conditions: A digitally rendered, synthetic AI-generated image.

UNMATCHED UNRIVALED

The Innova Crysta has been India's favourite family car for over 20 years. It has been followed by many, but matched by none. Its power, comfort and safety are unparalleled and part of automobile folklore. Now the legendary Innova's capabilities are further enhanced with an imposing front silhouette that gives it a bold stance like no other. The Innova Crysta also gets stunning diamond-cut alloy wheels that project elegance. In short, the Innova Crysta is in a league of its own. Distinctly designed, its exterior body lines are only a prelude to the luxuries that's inside. Nothing can prepare you for the unbelievable space and plushness of its luxurious cabin. Replete with cozy, leather[#] reclining seats that give you more legroom, and ride quality that's second to none, the Innova Crysta is truly beyond compare. Add to that its raw, yet refined power delivery and you have a car that gives you a truly unmatched and unrivaled travelling experience.

[#]Mix of genuine and synthetic leather.



*Terms & Conditions: A digitally rendered, synthetic AI-generated image.

Piercing LED Headlamps

Improves visibility and enhances the confident stance

Modernised Front Grille with Refined Chrome Elements

Crafted with refined chrome elements for a commanding and premium presence

Enticing Diamond-cut Alloys

Gives more elegance & presence to your drive

Front Clearance Sonar with MID Indication

Ensures safe parking in tight spaces

Stylish Crysta Embossed Bumper

Bold design that adds a touch of sophistication to the rugged front fascia

UNMATCHED DESIGN



Welcome Lamps | *Provides a warm welcome everytime you approach the Innova Crysta*

The Innova Crysta's design is matchless. Thanks to its distinctly styled, bold front grille and bumper, it exudes unmistakable road presence that takes it miles ahead of the rest.



Blue Illumination, 3-dimensional Combination Meter with Large TFT MID

Blue illumination, 3-dimensional combination meter with large TFT MID with drive information, cost calculator and telephone/navigation display adds to the car's intelligence



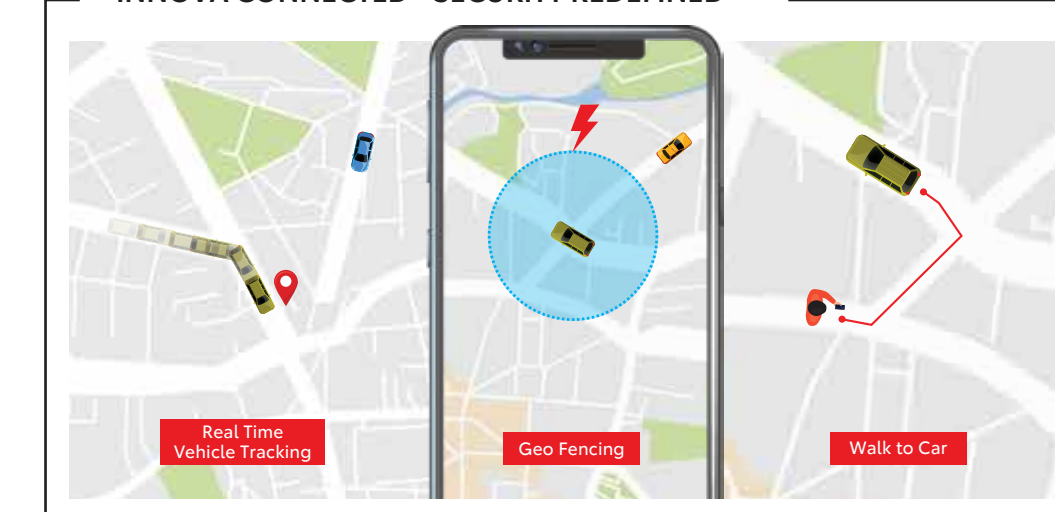
UNRIVALED CONNECTIVITY



Apple CarPlay | Android Auto
Access your favourite Apple and Android apps

The elegant driver dashboard is the control centre of the Innova Crysta. It features 20.32 cm display with Android Auto and Apple CarPlay Connectivity, using your smartphone you can also access advanced connectivity* features like Walk to Car, Geo Fencing & Real Time Vehicle Tracking.

INNOVA CONNECTED - SECURITY REDEFINED**



**Recommended accessory. Not a standard fitment. These are developed by third-party suppliers and fitted after sales at the dealership at the option of the customer. Illustrated parts may differ from the actual vehicle and are subject to improvements.



Plush Leather# Seats / Premium dual-tone leather seats in hazel brown and black

*Mix of genuine and synthetic leather, available only in ZX variant.

UNMATCHED COMFORT

The interior of the Innova Crysta is unequalled in its refinement and class. While the sheer amount of space will thrill you, the built-to-last quality will mesmerise you. Be it the choice of premium leather# seats, enhanced legroom or soft-touch materials, the Innova Crysta spells unparalleled comfort. So whether it's a long journey or a short trip, it gives you the calm and composure needed for you to arrive in style and confidence at your destination.



One-touch Tumble Second Row Seat
Gives you easy access to the third row seats



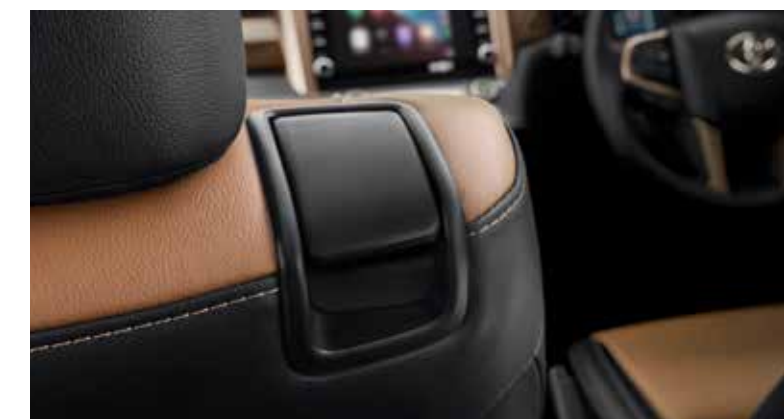
Ambient Illumination / Gives the cabin a luxurious look and feel



Upper Glove Box with Cooling
Keeps your beverages cold and refreshingly fresh



Foldable Seatback Table with Cup Holder
Keeps your knick knacks safely when on the go



Easy Slide Front Passenger Seat
Adjusts the rear legroom for more comfort



Wood Finish Interior Panels
Gives a premium and luxurious look



Smartphone Holder with USB Port
Keeps you connected when on the move



Wireless Smartphone Charger
Keeps your phone charged, effortlessly



UNRIVALED PERFORMANCE

The Innova Crysta has oodles of power under its hood, yet is unwaveringly efficient. And that's not all. It also offers refined driving dynamics for a smoother, more surefooted ride thanks to its robust chassis, sturdy suspension and slick transmission.



Powerful GD Diesel Engine

The Innova Crysta is powered by a GD diesel engine with further evolved low-speed torque. It has improved fuel economy while torque in the low and medium speed ranges have been considerably increased.



ECO & POWER Drive Modes | ECO mode for optimum fuel economy and
POWER mode for sharper acceleration response



Improved Suspension with Pitch & Bounce Control
Keeps cabin movement to a minimum and maintains a smooth ride on rough roads

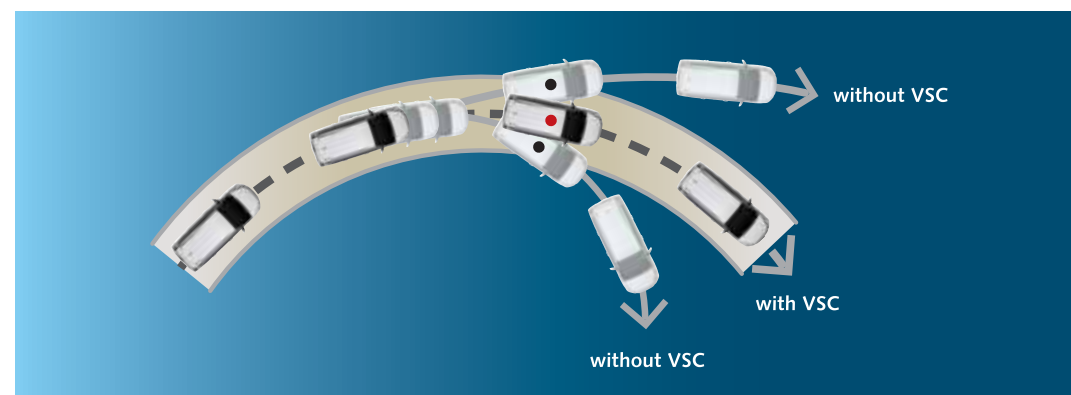
UNMATCHED SAFETY



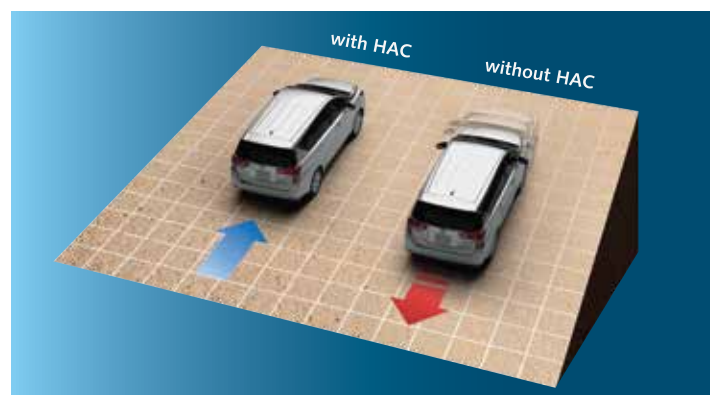
Images used in this brochure are for representation purposes only. The actual product may differ in appearance.

The Innova Crysta is not only powerful and comfortable, it's safe too. Because, at Toyota we give your safety the utmost priority.

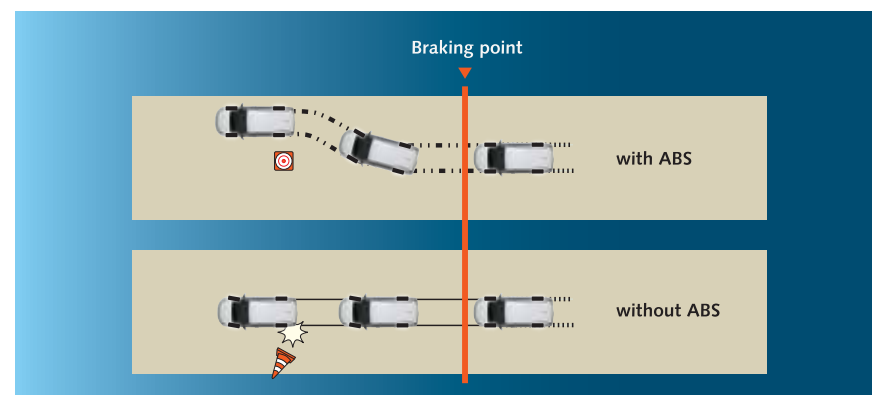
The Innova Crysta protects you and your family with 7 U SRS Airbags** during any unforeseen event. Vehicle Stability control, Anti-lock braking, electronic brake force distribution and brake assist ensure safety and stability even while high-speed braking. The tough chassis and the acclaimed GOA Body keeps body roll to a minimum and ensures maximum protection by evenly distributing any impact on the car throughout the body of the car.



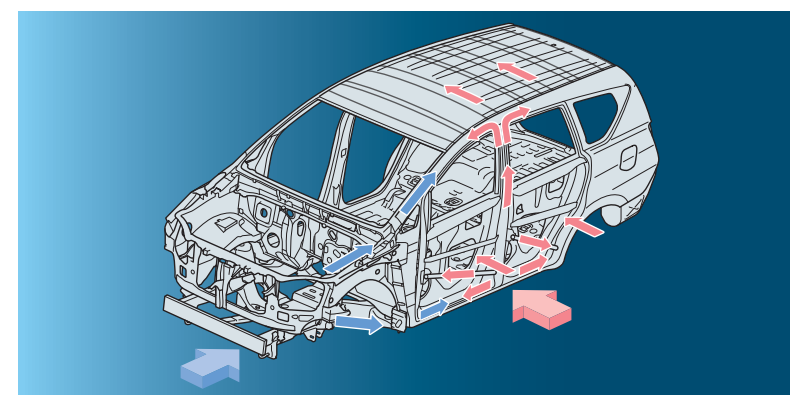
Vehicle Stability Control Automatically controls both vehicle brakes and engine output during over steer or under steer while the vehicle is making a turn, ensuring vehicle stability



Hill-start Assist Control Automatically controls the brakes suppressing vehicle rollback when starting off on a slope, reducing the burden on the driver



Anti-lock Braking System Prevents wheels from locking and enables greater manoeuvrability and steering control



GOA Body High strength body structure that effectively absorbs impacts and distributes it evenly during unforeseen collisions, thereby reducing passenger and pedestrian injuries

SPECIFICATIONS

Grade	G	G	G	V	Z
FUEL TYPE*	DIESEL	DIESEL	DIESEL	DIESEL	DIESEL
Seating Capacity	7 / 8 N Seater	7 / 8 N Seater	7 / 8 N Seater	7 / 8 N Seater	7 Seater
ENGINE, TRANSMISSION & CHASSIS					
Displacement	0.002393m ³ (2393cm ³)	0.002393m ³ (2393cm ³)	0.002393m ³ (2393cm ³)	0.002393m ³ (2393cm ³)	0.002393m ³ (2393cm ³)
Drive Modes	ECO & Power Mode	ECO & Power Mode	ECO & Power Mode	ECO & Power Mode	ECO & Power Mode
Max. Output	110 kW (150 PS) @ 56.66 s ⁻¹	110 kW (150 PS) @ 56.66 s ⁻¹	110 kW (150 PS) @ 56.66 s ⁻¹	110 kW (150 PS) @ 56.66 s ⁻¹	110 kW (150 PS) @ 56.66 s ⁻¹
Max. Torque	343 Nm @ 23.33-46.66 s ⁻¹	343 Nm @ 23.33-46.66 s ⁻¹	343 Nm @ 23.33-46.66 s ⁻¹	343 Nm @ 23.33-46.66 s ⁻¹	343 Nm @ 23.33-46.66 s ⁻¹
Transmission	5 Speed Manual	5 Speed Manual	5 Speed Manual	5 Speed Manual	5 Speed Manual
Tyres	205/65 R16 Steel Wheels***	205/65 R16 Alloy Wheels***	205/65 R16 Alloy Wheels***	205/65 R16 Alloy Wheels***	215/55 R17 Alloy Wheels
EXTERIOR					
Radiator Grille	Black	Black & Silver	New Design Silver	New Design Chrome	New Design Chrome
Bumper Emblem	"CRYSTA" Embossed	"CRYSTA" Embossed	Silver	Chrome	Chrome
Headlamp	Multireflector	Multireflector	Multireflector	Automatic LED Projector, Halogen with LED Clearance Lamp	Automatic LED Projector, Halogen with LED Clearance Lamp
Front Fog Lamp	X	X	With Silver Garnish	Halogen with Chrome Garnish	Halogen with Chrome Garnish
Front Bumper	Body Coloured	Body Coloured	Body Coloured	Body Coloured with Black	Body Coloured with Black
Rear Bumper	Body Coloured	Body Coloured	Body Coloured	Body Coloured with Chrome Garnish & Blackout Tape (Blackout Tape not available in Attitude Black)	Body Coloured with Chrome Garnish & Blackout Tape (Blackout Tape not available in Attitude Black)
Wheels	Steel Wheel with Full Wheel Cap	Alloy Wheels	Alloy Wheels	Alloy Wheels	Alloy Wheels
Outside Rear View Mirror	Body Coloured, Electric Adjust with Side Turn Indicators	Body Coloured, Electric Adjust with Side Turn Indicators	Body Coloured, Electric Adjust & Retract, Welcome Lights with Side Turn Indicators	Body Coloured, Electric Adjust & Retract, Welcome Lights with Side Turn Indicators	Chrome, Electric Adjust & Retract, Welcome Lights with Side Turn Indicators
Side P Mold	X	X	Chrome	X	X
Black-Out Door Frame	X	√	With Side Visor Chrome	√	√
Door Outside Handle	Body Colour	Body Colour	Chrome	Chrome	Chrome
INTERIOR					
Indirect Blue Ambient Illumination	X	X	X	√	√
Steering Wheel	Urethane with Silver ornament	Urethane with Silver ornament	Urethane with Silver ornament	Leather Wrap with Grace Copper ornament	Leather Wrap with Grace Copper ornament
Speedometer	With Multi Information Display	With Multi Information Display	With Multi Information Display	Blue Illumination, 3D Design with TFT Multi Information Display & Illumination Control	Blue Illumination, 3D Design with TFT Multi Information Display & Illumination Control
Multi Information Display (MID)	Dot Type MID with Drive Information (Fuel Consumption, Cruising Range, Average Speed, Elapsed Time, ECO Indicator), Outside Temperature	Dot Type MID with Drive Information (Fuel Consumption, Cruising Range, Average Speed, Elapsed Time, ECO Indicator), Outside Temperature	Dot Type MID with Drive Information (Fuel Consumption, Cruising Range, Average Speed, Elapsed Time, ECO Indicator), Outside Temperature	TFT MID with Drive Information (Fuel Consumption, Cruising Range, Average Speed, Elapsed Time, ECO Drive Indicator & ECO Wallet), Outside Temperature, Audio Display, Phone Caller Display, Warning Message	TFT MID with Drive Information (Fuel Consumption, Cruising Range, Average Speed, Elapsed Time, ECO Drive Indicator & ECO Score, ECO Wallet, Cruise Control Display), Outside Temperature, Audio Display, Phone Caller Display, Warning Message
Shift Lever Knob	Urethane	Urethane	Leather Wrap with Chrome ornament (Hydrographic)	Leather Wrap with Chrome ornament	Leather Wrap with Chrome ornament
Door Inner Garnish	Material Colour	Material Colour	Front and Rear : Wood-finish	Front: Grace Copper & Piano Black Rear: Grace Copper & Piano Black	Front: Grace Copper & Piano Black Rear: Grace Copper & Wood-finish
SEATS, COMFORT & CONVENIENCE					
Air Conditioner	Manual Control	Manual Control	Manual Control	Automatic Climate Control with Cool Start and Register Ornament	Automatic Climate Control with Cool Start and Register Ornament
Front Seat	Separate Seats with Slide & Recline	Separate Seats with Slide & Recline, Driver Seat Height Adjust	Separate Seats with Slide & Recline, Driver Seat Height Adjust	Separate Seats with Slide & Recline, Driver Seat Height Adjust	Separate Seats with Slide & Recline, Driver Seat Height Adjust
8-Way Power Adjust Driver Seat	X	X	X	X	√
Seat Material	Black Fabric	Black Fabric	Premium Black Fabric	Premium Black Fabric with stitched "CRYSTA" insignia	Dual Tone: Black + Hazel Brown Leather*
Audio	X	Display Audio, Capacitive Touch Screen, Flick & Drag Function, Bluetooth	Display Audio, Capacitive Touch Screen, Flick & Drag Function, Bluetooth	Display Audio, Capacitive Touch Screen, Flick & Drag Function, Bluetooth	Display Audio, Capacitive Touch Screen, Flick & Drag Function, Bluetooth
Android Auto / Apple CarPlay	X	√	√	√	√
Accessory Connector 12V DC	2 Numbers	2 Numbers	2 Numbers	2 Numbers	2 Numbers
Smart Entry System	X	X	X	√	√
Wireless Door Lock	With Jack-Knife Key	With Jack-Knife Key	With Jack-Knife Key	With Smart Entry Key & Push Start/Stop Button	With Smart Entry Key & Push Start/Stop Button
Easy Closer Back Door	X	X	X	X	√
Cruise Control	X	X	X	X	√
Seat Back Pocket	X	With Shopping Hook	With Shopping Hook	With Shopping Hook	With Shopping Hook
Seat Back Table	X	X	X	√	√
Tilt & Telescopic Steering Column	√	√	√	√	√
Wireless Charger	X	X	X	√	√
Tire Pressure Monitoring System	X	X	X	X	√
SAFETY & SECURITY					
SRS Air Bag**	Driver, Front Passenger & Driver Knee Airbags (3 Units)	Driver, Front Passenger & Driver Knee Airbags (3 Units)	Driver, Front Passenger & Driver Knee Airbags (3 Units)	Driver, Front Passenger, Driver Knee, Front Side, Curtain Shield Airbags (7 Units)	Driver, Front Passenger, Driver Knee, Front Side, Curtain Shield Airbags (7 Units)
ABS with EBD & BA	√	√	√	√	√
Vehicle Stability Control	√	√	√	√	√
Hill Start Assist Control	√	√	√	√	√
Back Monitor	X	X	√ With DVR	√	√
Front Clearance Sonar with MID Indication	X	X	X	√	√
Seat Belt Warning (All 3 Rows)	√	√	√	√	√

*Mix of Genuine and Synthetic Leather. **For more details on the functioning of Airbags please refer to the owner's manual. ***Spare wheel material is Steel & Spare Tyre size is 205/65 R16. *B56 Phase 2 Compliant.



**For more details on the functioning of Airbags please refer to the owner's manual.